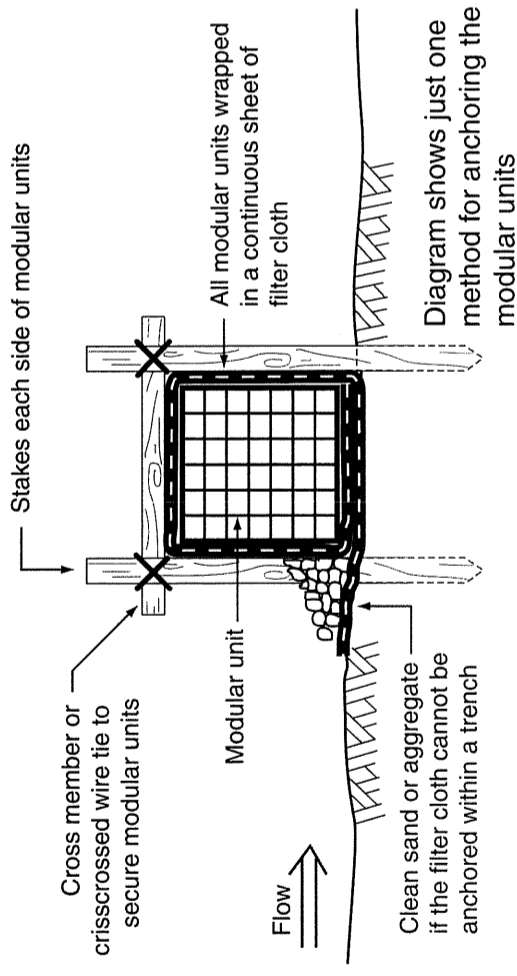
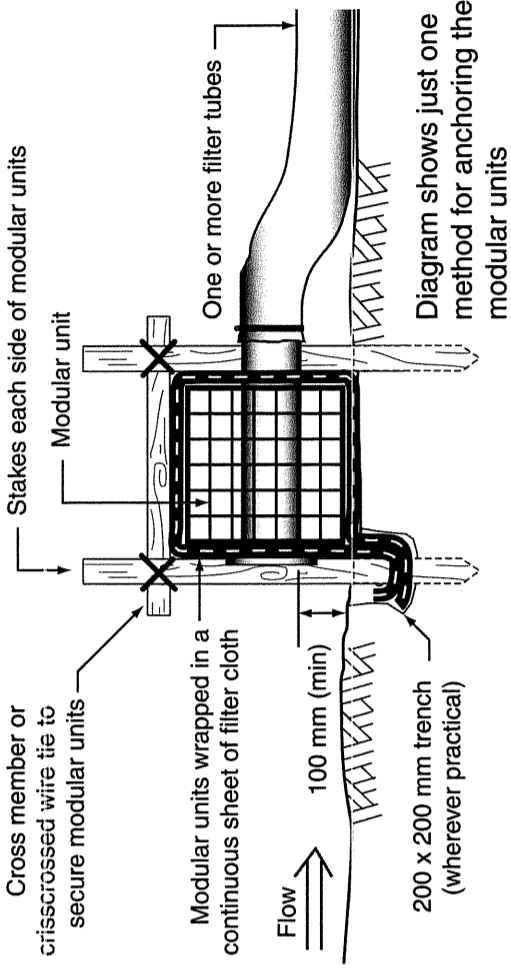


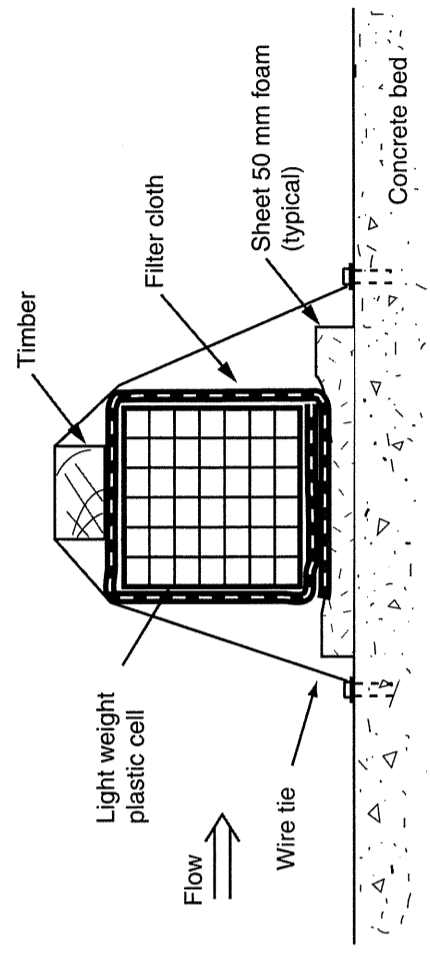
(a) Preferred installation method



(c) Alternative installation method



(b) Incorporation of filter tubes



(d) Typical installation on an impervious surface

NO.	DATE	ISSUE FOR CONSTRUCTION	DESCRIPTION	APPVD
A	18/11/11			
AMENDMENTS AND REVISIONS				
FILE NAME DESIGNDOCUMENTS\SECS STD DRAWINGS\...				

SURVEY	DRAWN	SIGNED	DATE
	POG	POG	12/12/11
SURVEY FILE NO	DESIGNED	SIGNED	DATE
	POG	POG	12/12/11
LEVEL DATUM	CHECKED	SIGNED	DATE
AHD			
MERIDIAN	MANAGER TECHNICAL SERVICES		
MGA 55	G. HAWES RPEQ 5693		

DIRECTOR
ENGINEERING SERVICES
S.M. Holley
STUART HOLLEY RPEQ 8940
DATE 20.12.11



MODULAR SEDIMENT TRAP

SHEET 1 OF 1	WORKS JOB No.	AMEND.
		-
DRAWING No.	A3-6788	A