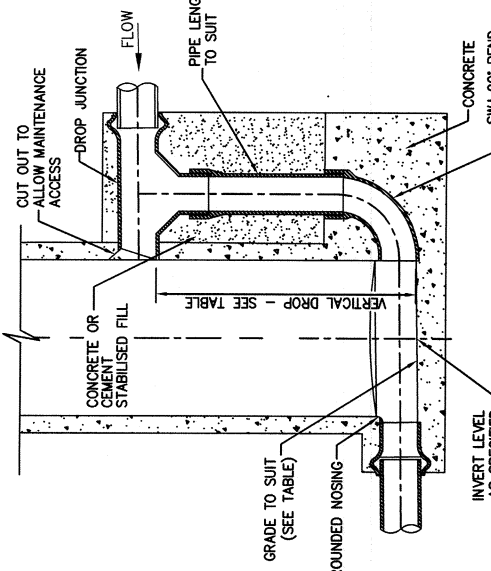
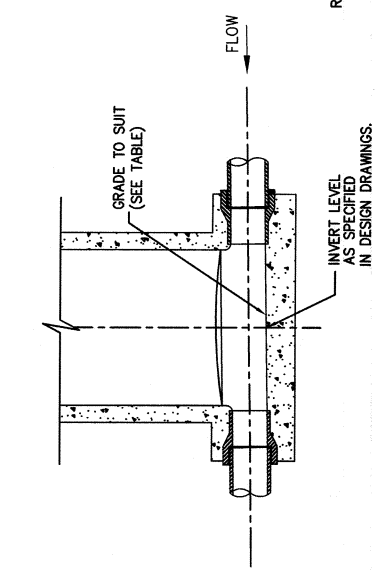


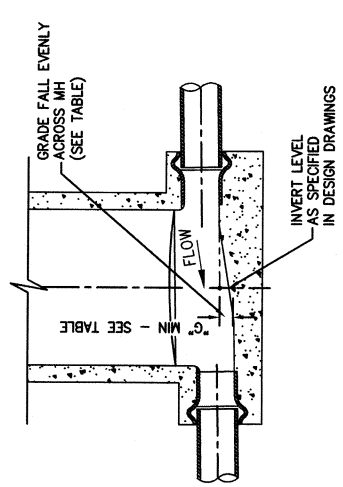
PRECAST MH
SEE A3-04215



EXTERNAL DROP JUNCTION
PVC PIPES SHOWN



STRAIGHT THROUGH SEWER
VC PIPES SHOWN



CHANGE IN DIRECTION THROUGH MAINTENANCE HOLE
PVC (RRJ) PIPES SHOWN

VERTICAL DROP	
PIPE SIZE DN	MINIMUM ▲
150	460
225	710
300	880

▲ BASED ON CURRENT FITTING AVAILABILITY

FALL ACROSS MH (INLET TO OUTLET INVERT)	
DEFLECTION ANGLE	"C" MIN
0° - 30°	30
>30° - 60°	50
>60°	80

- NOTES:**
1. ALL DIMENSIONS IN MILLIMETRES.
 2. THIS DRAWING APPLICABLE TO PRECAST AND IN-SITU MH.
 3. ALL CONNECTION TYPES SHOWN IN THIS DRAWING ARE APPLICABLE TO VC, PVC SOLVENT WELD (SWU), & PVC RUBBER RING (RRJ), PE & GRP PIPES, UNLESS OTHERWISE SPECIFIED.
 4. TO ENSURE BONDING COAT PVC AND GRP PIPES CAST INTO MH FULLY AND BRUSH WITH RESIN/SOLVENT & SAND OR ABRASIVE FOR THE LENGTH OF WALL PENETRATION.
 5. FILL JOINT AROUND INSERT PIPE WITH AUTHORISED EPOXY OR MASTIC SEALING MATERIAL.
 6. FOR DETAILS OF PIPE CONNECTION TO MH SEE A3-04217.
 7. ROCKER PIPE LENGTHS AND CONNECTION SYSTEMS TO BE AS SHOWN IN A3-04217.
 8. MAXIMUM FALL ACROSS MH TO BE 150

MRC STANDARD DRAWINGS SUPERCEDES WSAA STANDARD DRAWINGS

C 575 AMEND MRC SEW.		JC		DRAWING FILE NAME M:\Engineering Services\Technical Services\Design\Projects\Standard drawings\Mackay Water\WSAA MRC\SEW CODE\A3-04218B	
B	MAY08	MODIFIED TO MRC STD	SLR	SURVEY N/A	WSAA NO. SEW-1303
A	OCT07	TSFER TO MRC TBLOCK	SLR	SURVEY FILE No N/A	DATE OF LAST EDIT May 21, 2009
0		WSAA ORIG.		LEVEL DATUM A.H.D.	JOB No
NO.	DATE	DESCRIPTION	APPVD.	MERIDIAN	MGA-95
				COMMERCIAL SERVICES EXECUTIVE MANAGER MACKAY WATER & WASTE RPEQ 7506 JASON DEVITT DATE 27 MAY 09	
				STANDARD DRAWING MAINTENANCE HOLES SEWERS < DN 300 CHANGES IN LEVEL DETAILS	
				DRAWING No. A3-04218 AMEND. C SHEET 1 OF 1	