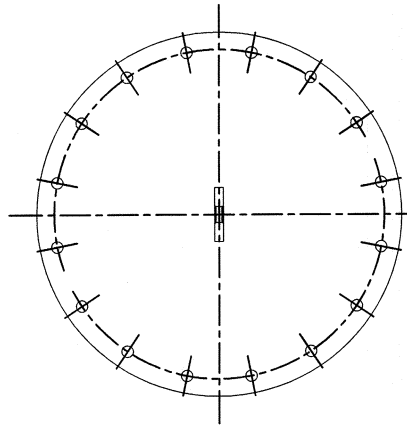
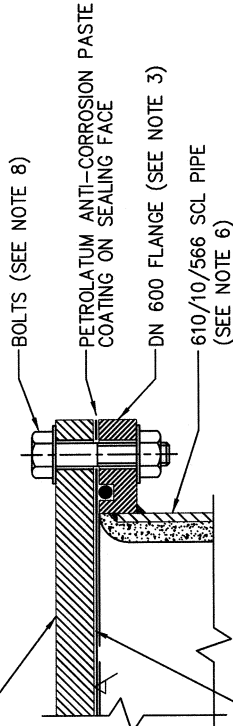


DN 600 COVER (SEE NOTE 3)



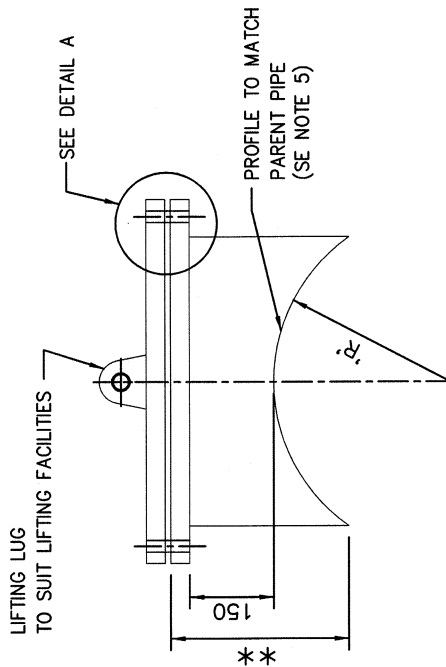
PLAN



DETAIL A

LIFTING LUG TO SUIT LIFTING FACILITIES

SEE DETAIL A



ELEVATION

** VARIES ACCORDING TO PIPE DIAMETER

NOTES:

1. ALL DIMENSIONS IN MILLIMETRES.
2. WELDING TO BE IN ACCORDANCE WITH AS/NZS 1544.1 CATEGORY SP.
3. FLANGES AND DRILLING TO IN ACCORDANCE WITH AS 4087 FIGURES B7, B8, B9.
4. CEMENT LINED STEEL PIPES TO AS 1579 & AS 1281 TO SUIT DESIGN PRESSURE.
5. REINFORCING COLLARS MAY BE REQUIRED TO BE INSTALLED AS SHOWN IN DETAIL DRAWING.
6. CEMENT MORTAR LINING TO BE IN ACCORDANCE WITH AS 1281.
7. GASKETS AND 'O' RINGS TO COMPLY WITH WSA 109.
8. BOLTING DETAILS TO BE AS SHOWN ON A3-04304 STAINLESS STEEL BOLTING SYSTEM.

MRC STANDARD DRAWINGS SUPERCEDES WSAA STANDARD DRAWINGS

C 5/D AMEND MGR CHN. JC		DRAWING FILE NAME <small>M:\Engineering Services\Technical Services\Design\Projects\Standard drawings\Mackay Water\WSAA MRC\WAT CODE\A3-04309B</small>		COMMERCIAL SERVICES		Mackay REGIONAL COUNCIL	
B MAY08 MODIFIED TO MRC STD	SLR	SURVEY N/A	WSAA NO. WAT-1404	EXECUTIVE MANAGER MACKAY WATER & WASTE RPEQ 7506		STANDARD DRAWING TYPICAL STEEL FABRICATION ACCESS OPENING FOR PIPE	
A OCT07 T'SFER TO MRC TBLOCK	SLR	DATE OF LAST EDIT May 21, 2009		DATE 27 MAY09		AMEND. C	
0 WSAA ORIG.	WSAA ORIG.	LEVEL DATUM A.H.D.		DATE 27 MAY09		SHEET 1 OF 1	
NO DATE DESCRIPTION	APPVD.	MERIDIAN MGA-55	WATER SERVICES ASSOCIATION of Australia	JASON DEVITT		> DN 750	