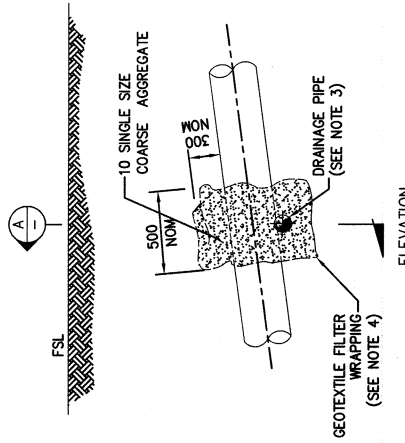
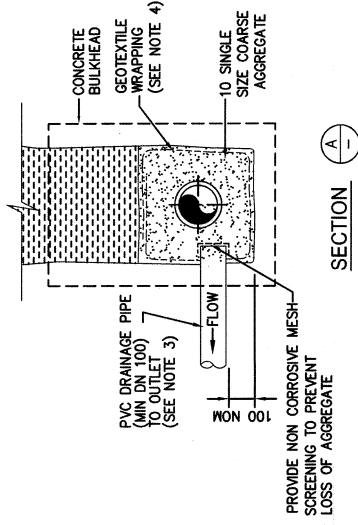


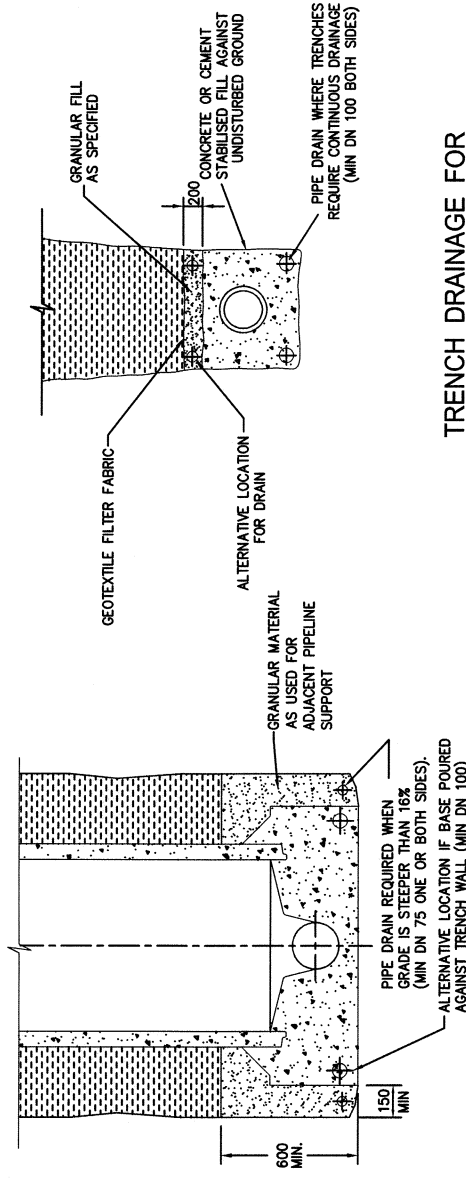
DRAINAGE SYSTEM WITH BULKHEADS



DRAINAGE SYSTEM WITHOUT BULKHEADS



TYPICAL DISCHARGE SYSTEM FOR PIPE TRENCHES



DRAINAGE PAST MAINTENANCE HOLES

TRENCH DRAINAGE FOR CONCRETE ENCASEMENT/STABILISATION

NOTES:

- COUNCIL DOES NOT ALLOW CONCRETE ENCASEMENT. ALTERNATIVE OPTION IS TO PROVIDE REINFORCED CONCRETE BRIDGING SLAB ABOVE SEWER WITH MINIMUM 300mm CLEARANCE AND EXTENDED A MINIMUM 200mm EACH SIDE OF TRENCH WIDTH.
- ALL DIMENSIONS IN MILLIMETRES.
- DRAINAGE PIPES TO DISCHARGE INTO AUTHORISED WATER DISCHARGE AREAS AS DETAILED IN DESIGN DRAWINGS.
- LAY GEOTEXTILE FILTER FABRIC IN TRENCH TO FULLY ENCAPSULATE THE DRAINAGE MATERIAL (COARSE AGGREGATE). PROVIDE MINIMUM OF 250 LAP AT ALL FILTER FABRIC JOINTS. USE DRAINAGE SYSTEMS AS SPECIFIED WHERE SEWER IS LAID AT A GRADE OF $\geq 16\%$
- PROVIDE CONTINUOUS DRAINAGE PATH AROUND MAINTENANCE STRUCTURES - IN TRENCH EXCAVATIONS ACROSS ROADWAYS

MRC STANDARD DRAWINGS SUPERSEDES WSAA STANDARD DRAWINGS

D 5/9	AMEND	MAR	SKN.	JC	DRAWING FILE NAME	M:\ESTS\Design\Projects\STD-DWGS\MACKAY WATER\WSAA MRC\SEW CODE\A3-4213C	WSAA NO.	SEW-1207	EXECUTIVE MANAGER	MACKAY WATER SERVICES	RPEQ 7506	DATE	3/5/16
	C	MAY	08	MODIFIED TO MRC STD	SLR	SURVEY N/A	DATE OF LAST EDIT	February 9, 2009	WATER SERVICES ASSOCIATION	of Australia	JOB No	MGA-55	OF 1
B	NOV	07	1. NOTE ADDED	NR	SURVEY FILE No N/A	LEVEL DATUM	A.H.D.						
A	OCT	07	TREER TO MRC TBLOCK	SLR									
0			WSAA ORIG										
NO.	DATE	DESCRIPTION	APPVD.										
<p>STANDARD DRAWING TRENCH DRAINAGE TYPICAL SYSTEMS</p> <p>COMMERCIAL SERVICES</p> <p>CONCRETE ENCASEMENT/STABILISATION</p> <p>Mackay REGIONAL COUNCIL</p> <p>DRAWING No. A3-04213 AMEND. D</p> <p>SHEET 1 OF 1</p>													