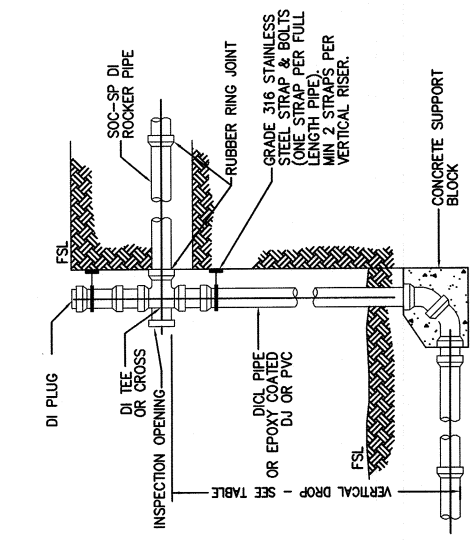


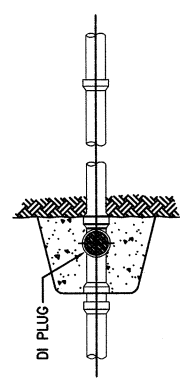
ELEVATION
TYPE 3
CONCEALED PIPE
 (BOREHOLE)

THIS DRAWING APPLIES TO SEWERS \leq DN300 WITH A MAXIMUM 6 m VERTICAL DROP

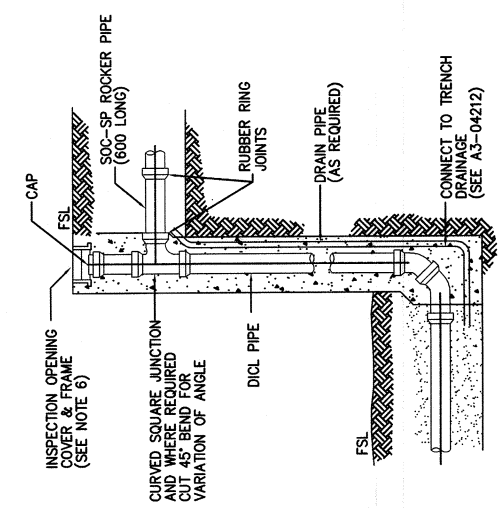
- NOTES:**
1. VERTICALS REQUIRE WRITTEN APPROVAL FROM COUNCIL.
 2. ALL DIMENSIONS ARE IN MILLIMETRES.
 3. PLUG OR CAP OPENINGS AT THE TOP OF VERTICAL RISERS.
 4. TREAT ALL EXPOSED CONCRETE SURFACES TO MAKE ENVIRONMENTALLY ACCEPTABLE AS SPECIFIED IN THE DESIGN DRAWINGS.
 5. BOREHOLE CASING TO BE POLYETHYLENE (PE) PIPE UNLESS OTHERWISE SPECIFIED.
 6. INSPECTION OPENING COVER & FRAME TO MACKAY WATER & WASTE REQUIREMENTS.
 7. DUCTILE IRON FITTINGS (DI) TO BE POLYMERIC COATED INTERNALLY.
 8. SAFETY FENCING MAY BE REQUIRED BY MACKAY WATER & WASTE OR REGULATOR.



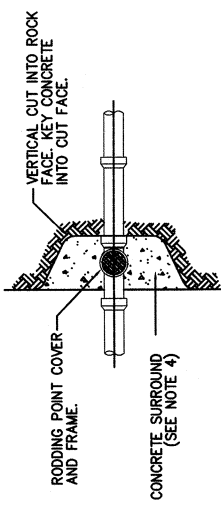
ELEVATION
TYPE 2
EXPOSED PIPE
 (DI PIPES) (SEE NOTE 7)



PLAN
TYPE 2
EXPOSED PIPE
 (DI PIPES) (SEE NOTE 7)



ELEVATION
TYPE 1
CONCEALED PIPE
 (VC & PVC PIPES)



PLAN
TYPE 1
CONCEALED PIPE
 (VC & PVC PIPES)

MACKAY WATER & WASTE APPROVAL REQUIRED BORED HOLE BETWEEN MH's PREFERRED

MRC STANDARD DRAWINGS SUPERCEDES WSAA STANDARD DRAWINGS

D	S/S	AMEND	MGR	SGN	J/C	DRAWING FILE NAME M:\Engineering Services\Technical Services\Design\Projects\Standard drawings\Mackay Water\WSAA MRC\SEW CODE\A3-04214C			COMMERCIAL SERVICES	Mackay REGIONAL COUNCIL	DRAWING No. A3-04214	AMEND. D	SHEET 1 OF 1
						SLR	SURVEY N/A	WSAA NO. SEW-1208					
C	MAY08	MODIFIED TO MRC STD											
B	NOV07	1. NOTE ADDED											
A	OCT07	T'SFER TO MRC TBLOCK											
0		WSSA ORIG.											
NO.	DATE	DESCRIPTION	APPVD.	MERIDIAN	MGA-55	DATE OF LAST EDIT May 21, 2009	DATE 27 MAY09	DATE DATE	JASON DEVITT				