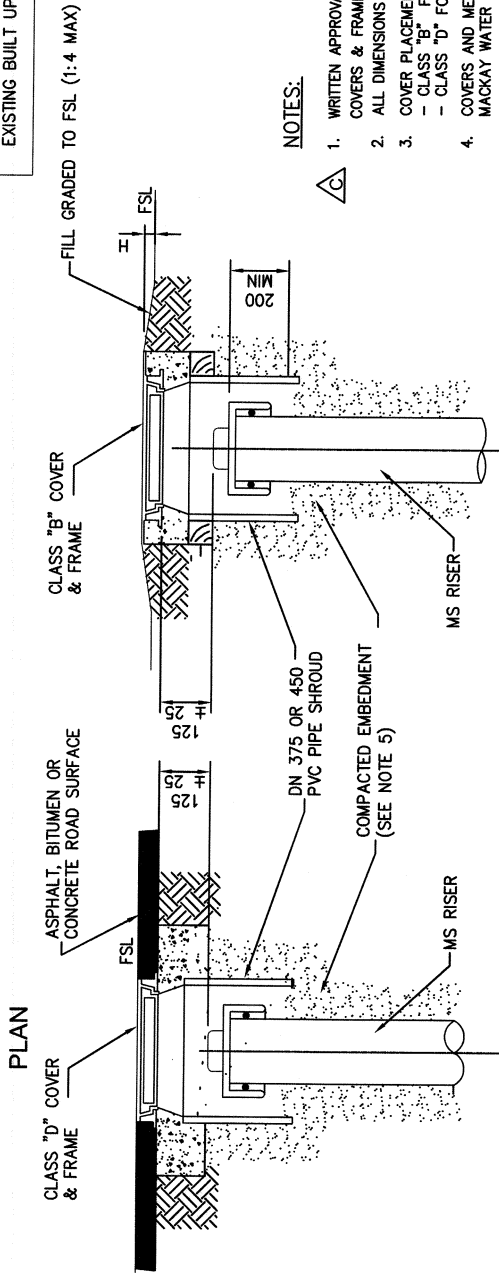


FINISHED LEVELS OF MS COVERS	
LOCATION	H
UNDEVELOPED AREAS	100
NEW SUBDIVISIONS	75
ROADS, LANE WAYS, FOOTWAYS & DRIVEWAYS	FLUSH
EXISTING BUILT UP AREAS	25



NOTES:

1. WRITTEN APPROVAL FROM COUNCIL REQUIRED. COVERS & FRAMES AS REQUIRED BY MACKAY WATER & WASTE.
2. ALL DIMENSIONS IN MILLIMETRES
3. COVER PLACEMENT:
 - CLASS 'B' FOR FOOTWAYS, PARKS AND EASEMENTS.
 - CLASS 'D' FOR TRAFFICABLE AREAS.
4. COVERS AND MEANS OF SUPPORT TO BE AS AUTHORISED BY MACKAY WATER & WASTE.
5. COMPACT BACKFILL UNDER ACCESS COVER CONCRETE SUPPORT SLABS AND SURROUNDS IN ACCORDANCE WITH DESIGN DRAWINGS.

ELEVATION
TRAFFICABLE COVER
(CLASS D)

ELEVATION
NON TRAFFICABLE COVER
(CLASS B)

E 5/5 AMEND MGR SKW JC

NO	DATE	DESCRIPTION	APPVD.	MERIDIAN	MGA-55	JOB No
D	MAY08	MODIFIED TO MRC STD	SLR			
C	APR08	1. NOTE AMENDED	NR			
B	NOV07	1. NOTE ADDED	NR			
A	OCT07	T'SFER TO MRC TBLOCK	SLR			
0		WSSA ORIG.				

DRAWING FILE NAME	M:\Engineering Services\Technical Services\Design\Projects\Standard drawings\Mackay Water\WSA MRC\SEW CODE\A3-04232
SURVEY N/A	
SURVEY FILE No N/A	
DATE OF LAST EDIT	May 21, 2009
LEVEL DATUM	A.H.D.
WSSA NO.	SEW-1317
WATER SERVICES ASSOCIATION of AUSTRALIA	

EXECUTIVE MANAGER MACKAY WATER & WASTE RPE&Q 7506	JASON DEVIITT DATE 27 MAY09
---	-----------------------------------

COMMERCIAL SERVICES	STANDARD DRAWING MAINTENANCE SHAFTS TYPICAL MS COVER ARRANGEMENTS	DRAWING No. A3-04232 AMEND. E
Mackay REGIONAL COUNCIL		SHEET 1 OF 1

MRC STANDARD DRAWINGS SUPPERCEDES WSMA STANDARD DRAWINGS