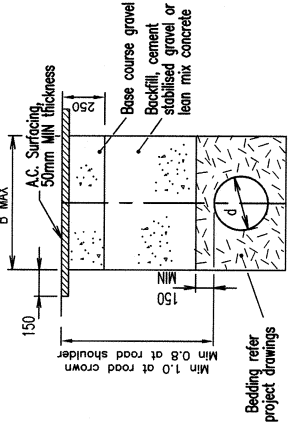
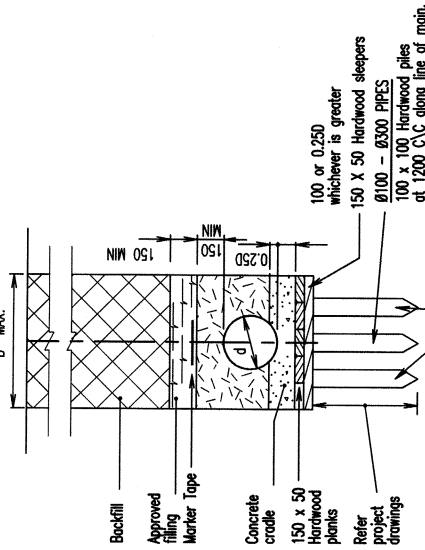


TYPE 0 CONSTRUCTION
APPROVED NATURAL BEDDING

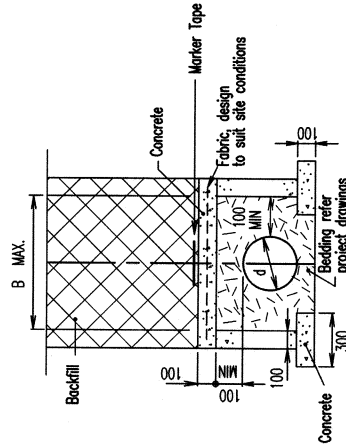
TYPE 1 CONSTRUCTION
APPROVED SAND BEDDING



COUNCIL STREETS/ROADS



TYPE 6 CONSTRUCTION
TIMBER PILE & RAFT FOUNDATION
CONCRETE N20



CONCRETE PROTECTION
CONCRETE N20
NOTE: Contraction joint to be formed
in concrete at 3m intervals.

MINIMUM PIPE COVER

LOCATION	MINIMUM COVER #
NON-ROADWAYS - GENERAL	600
- INDUSTRIAL/COMMERCIAL	600
SEALED ROADS	800
MAJOR ROADWAYS/ EMBANKMENTS	800

NOTES:

- Refer specification for definition of:-
 - Bedding material
 - Spacing of concrete anchor blocks
 - Slope 1 in 3 to 1 in 6 - every 4th pipe
 - Slope 1 in 3 to 1 in 5 - every 3rd pipe
 - Slope 1 in 3 to 1 in 4 - every 2nd pipe
 - Slope greater than 1 in 3 - every pipe
- All bars Grade 250 to AS 3679.
- Concrete N20 in accordance with AS 1379 and AS 3600.
- For backfilling under Roadways:-
 - All unbound gravel and select fill is to be compacted to 95% STD compaction to AS 1289.5.2.1
 - All material to be compacted in 150mm layers.
 - Surface level tolerance: The deviation from a string laid parallel to the centre line of an existing road as shown on the drawing shall not exceed 10mm.
- Refer project drawings for dimensions to be adopted where MIN's have been shown.
- All dimensions in millimetres.

NOTE: THE COLOUR FOR MARKER TAPES SHALL BE WATER: GREEN
SEWER: BROWN
RECYCLED WATER: LILAC
RISING MAIN: BROWN

NOM DIA. PIPE	d	Ø100	Ø150	Ø200	Ø250	Ø300	Ø375	Ø450	Ø525	Ø600	Ø675	Ø750	Ø825	Ø900
OPEN TRENCH	B	600	600	600	600	750	850	900	1000	1050	1150	1300	1300	1450

NOTE: - d = NOMINAL DIAMETER OF PIPE

MRC STANDARD DRAWINGS SUPERCEDES WSAA STANDARD DRAWINGS

		Mackay REGIONAL COUNCIL	
STANDARD DRAWING BEDDING AND BACKFILL FOR WATER MAIN CONSTRUCTION		DRAWING No. A3-00835 AMEND. B	
WATER SERVICES		EXECUTIVE MANAGER MACKAY WATER SERVICES RPE@ 7506	
DRAWING FILE NAME M:\ES\TS\Design\Projects\STD-DWGS\MACKAY WATER\WSAA MRC\SPS CODE\A3-635A		WSAA NO. N/A	
SURVEY FILE No N/A DATE OF LAST EDIT April 28, 2009		WATER SERVICES ASSOCIATION of Australia	
SURVEY FILE No N/A LEVEL DATUM A.H.D.		JOB No	
NO. DATE DESCRIPTION A MAY07 MODIFIED TO MRC STD		APPVD. MERIDIAN MGA-65	
B S/S AMEND MGR SIGN. JC		DATE 27/5/09 DATE	
SHEET 1 OF 1		JASON DEWITT	