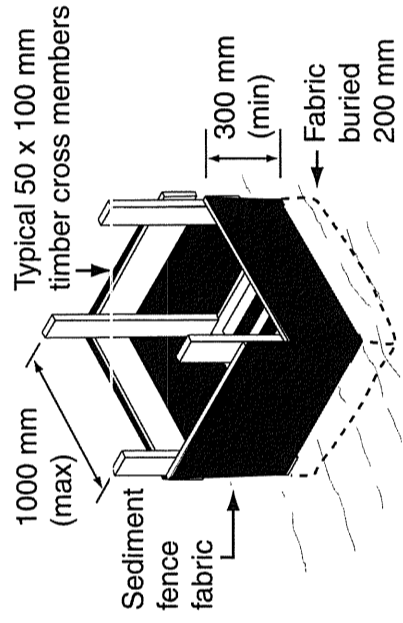
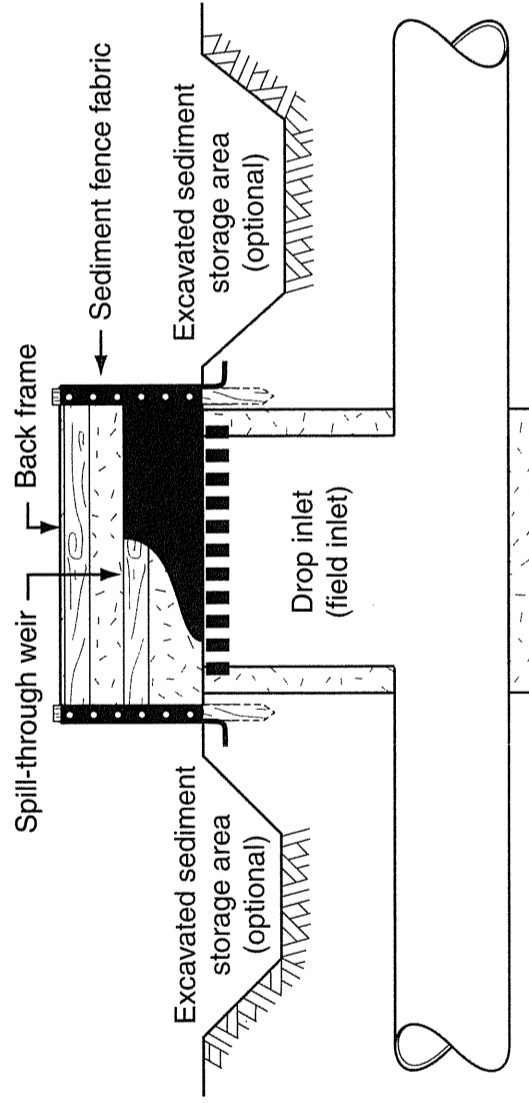


**(a) Details of support frame with spill-through weir**



**(b) Fabric drop inlet protection with spill-through weir**



**(c) Fabric drop inlet protection with optional excavated sediment storage area and settling pond**

SHEET 1 OF 1		WORKS JOB No.		DRAWING No.		AMEND.	
FABRIC DROP INLET PROTECTION		A3-6809		A			
DIRECTOR ENGINEERING SERVICES		DATE 20.12.11		DATE 12/12/11		DATE 12/12/11	
SIGNED PDC		SIGNED PDC		SIGNED PDC		SIGNED PDC	
DRAWN PDC		DESIGNED PDC		CHECKED PDC		MANAGER TECHNICAL SERVICES	
SURVEY		SURVEY FILE No		LEVEL DATUM		MERIDIAN	
A 18/11/11		ISSUE FOR CONSTRUCTION		APPVD		MGA 55	
NO. DATE		DESCRIPTION		AMENDMENTS AND REVISIONS		FILE NAME	
						DESIGNDOCUMENTS\SESC STD DRAWINGS\...	
STUART HOLLEY RPEQ 8940		DATE 20.12.11		DATE 12/12/11		DATE 12/12/11	
Mackay REGIONAL COUNCIL		G. HAWES RPEQ 5693		Mackay REGIONAL COUNCIL		Mackay REGIONAL COUNCIL	