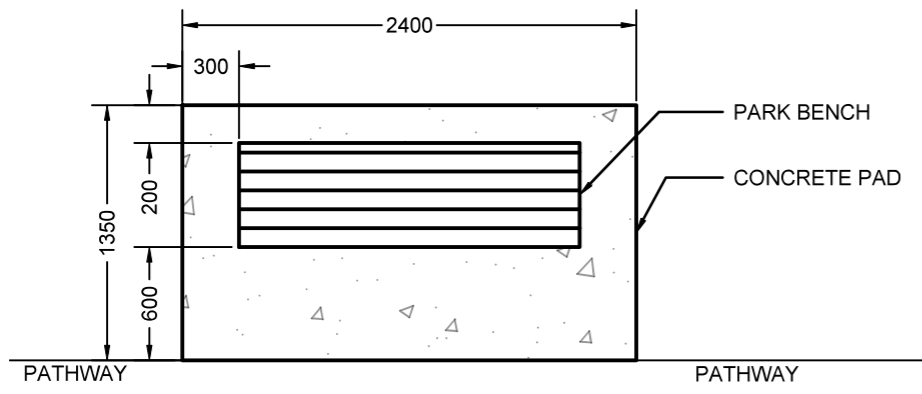


LAYOUT - PICNIC SETTING ARRANGEMENT WITH RUBBISH BIN ON CONCRETE SLAB
SCALE 1:25

LAYOUT - ELECTRIC BBQ ON CONCRETE SLAB
SCALE 1:50


NOTES:

1. BINS OR BIN ENCLOSURE ARE TO BE LOCATED ADJACENT TO PATHS, NEAR PICNIC NODES OR OTHER PARK FACILITIES AS REQUIRED.
2. BIN OR BIN ENCLOSURE TO BE IN ACCORDANCE WITH MRC LIST OF FURNITURE & MATERIALS.
3. PICNIC SETTING TO BE IN ACCORDANCE WITH MRC LIST OF FURNITURE & MATERIALS.
4. PARK BENCH TO BE IN ACCORDANCE WITH MRC LIST OF FURNITURE & MATERIALS.
5. BINS OR BIN ENCLOSURE TO BE POSITIONED IN THE CENTER OF THE CONCRETE PAD.
6. PICNIC SETTING TO BE POSITIONED IN THE CENTER OF THE CONCRETE PAD AND BE INSTALLED IN ACCORDANCE WITH MANUFACTURER'S INSTRUCTIONS.
7. CONCRETE SLAB TO BE 100mm THICK REINFORCED CONCRETE WITH F72 MESH, PLACED AT 30mm MIN.. TOP COVER 30mm BEDDING LAYER.
8. A MIN. 1% - MAX. 2.5% FALL IS TO BE ACHIEVED ACROSS CONCRETE PAD TO PREVENT WATER PONDING.
9. THE TOP OF THE CONCRETE PAD IS TO BE LEVEL WITH THE SURROUNDING SURFACE.
10. BBQ TO BE POSITIONED WITHIN THE PICNIC SHELTER OR OTHER ROOFED STRUCTURE.
11. CONCRETE TO BE MINIMUM GRADE N32 BROOM FINISH, 125mm THICKNESS REINFORCED WITH SL72 MESH WITH MIN. TOP & BOTTOM COVER OF 50mm.
12. BBQ SLAB SIZE SHOWN IS THE MINIMUM REQUIREMENT. SLAB SIZE TO INCREASE TO AREAS WHERE MORE THAN ONE (1) BBQ IS INSTALLED.
13. BBQ TO BE INSTALLED TO MANUFACTURE'S SPECIFICATIONS.
14. ALL ELECTRICAL WORK TO BE UNDERTAKEN BY A QUALIFIED ELECTRICIAN.
15. BBQ ELECTRICAL SUPPLY TO BE METERED.



LAYOUT - PARK BENCH ON CONCRETE SLAB
SCALE 1:40

K:\Technical Services\Design\Projects\Standard drawings\PARKS & GARDENS\A3-09695C.dwg

		SURVEYED BY		DRAWN	SIGNED	DATE	ASSET OWNER		STANDARD FURNITURE - TYPICAL PICNIC SETTING WITH RUBBISH BIN AND ELECTRIC BBQ ON CONCRETE SLAB		SHEET 1 OF 1	
		SURVEY FILE No		DESIGNED	SIGNED	DATE	ORIGINAL SIGNED BY J.COCKER 18/2/2021		WORKS JOB No.		DRAWING No. AMEND.	
		LEVEL DATUM		CHECKED	SIGNED	DATE	JASON COCKER		A3-09695		C	
		A.H.D.		MANAGER / CO-ORDINATOR			CERTIFIED					
NO.	DATE	DESCRIPTION		HOR. DATUM / DATE		MGA 94/2020		DATE				
AMENDMENTS AND REVISIONS												