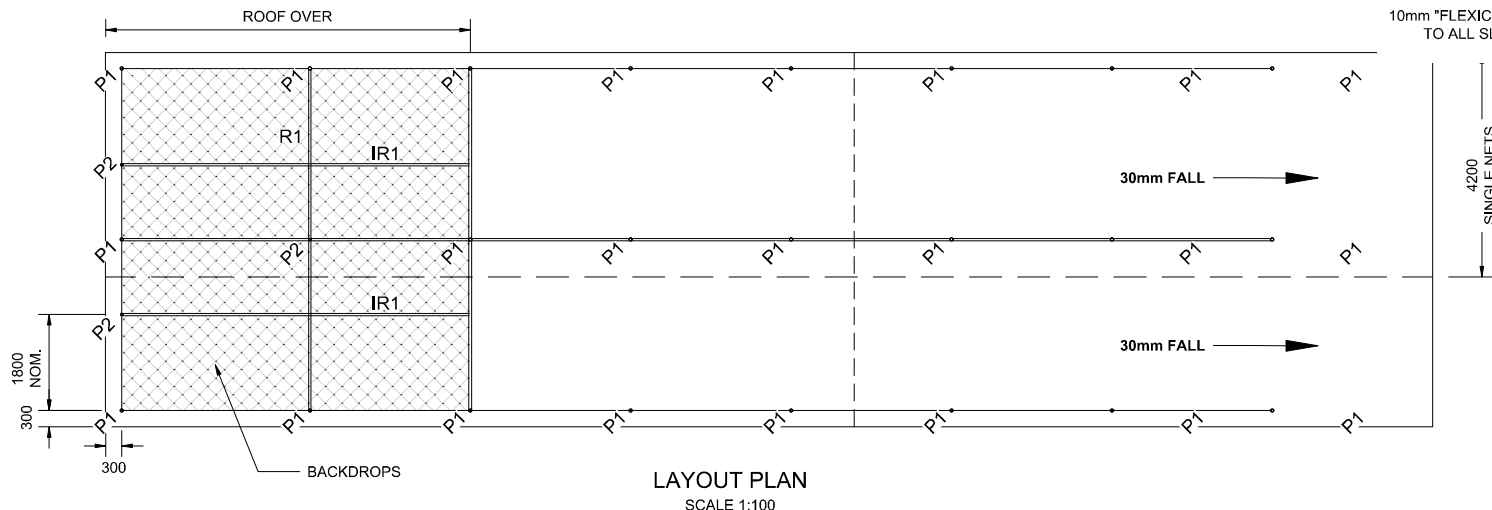
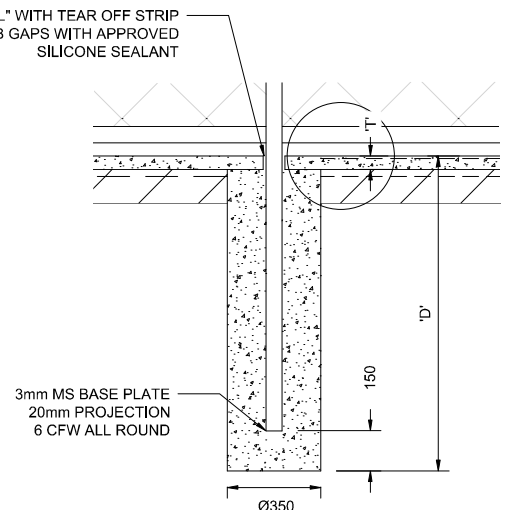


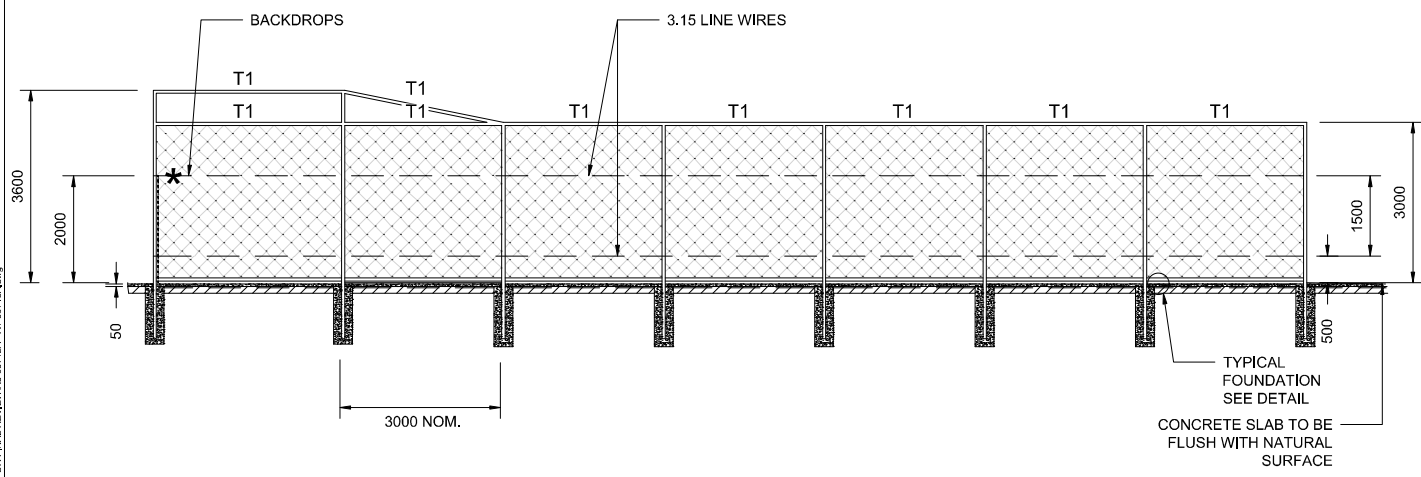
K:\Technical Services\Design\Projects\Standard Drawings\Standard Drawings\Standard Drawings\A3-09712-A-L-201713.dwg



LAYOUT PLAN
SCALE 1:100



TYPICAL FOUNDATION DETAIL
SCALE 1:20



ELEVATION
SCALE 1:100

FOOTING SCHEDULE		
SITE CLASS	"D"	"T"
A,S,M	900	125
H	1200	125
E	1500	125

MEMBER SCHEDULE	
MARK	MEMBER
P1	60.3 x 2.3 CHS
P2	48.3 x 2.3 CHS
T1	60.3 x 2.3 CHS
R1	60.3 x 2.3 CHS
IR1	48.3 x 2.3 CHS

* PROVIDE INTERMEDIATE FENCING RAIL TO SUPPORT CONVEYOR BELT BACKDROPS

NOTES:

1. ALL STEELWORK AND MATERIALS TO BE IN ACCORDANCE WITH AS4100 "STEEL STRUCTURES" CODE, MA1.8 "FABRICATION", MA1.9 "ERECTION"
2. CORROSION PROTECTION FOR THE STEELWORK SHOULD BE SUITABLE FOR THE EXPOSURE E.G. GALVANISED INSIDE AND OUT FOR SALT SPRAY.
3. ALL PIPES SHALL BE GALVANISED.
4. ALL EXTERIOR BOLTS, NUTS AND WASHERS TO BE HOT DIP GALVANISED UNO.
5. SEAL ALL HOLLOW SECTIONS WITH 4mm PLATE, 4mm SEAL WELD, OR GALVANISED STEEL CAP TO MANUFACTURERS SPECIFICATIONS.
6. FOUNDATION DIAMETER AND DEPTH HAVE BEEN BASED ON AN ALLOWABLE BEARING PRESSURE OF 100kPa FOR FIRM CLAY AND 150kPa FOR STIFF CLAY. THIS IS GENERALLY SUITABLE FOR A, S, M, H & E SITES (AS2870) OR FILL COMPACTED TO 95% STD. THESE SHOULD BE CHECKED BY AN EXPERIENCED GEOTECHNICAL ENGINEER.
7. ALL DIMENSIONS IN MILLIMETERS UNLESS NOTED OTHERWISE

				SURVEYED BY	DRAWN	SIGNED	DATE	ASSET OWNER	Jason Cocker
				SURVEY FILE No.	DESIGNED	SIGNED	DATE	Jason Cocker	Digitally signed by Jason Cocker Date: 2021.03.03 16:25:48 +10'00'
				LEVEL DATUM	CHECKED	SIGNED	DATE	JASON COCKER	DATE
				A.H.D.	MANAGER / CO-ORDINATOR				
				HOR. DATUM / DATE	CERTIFIED				
				MGA 94/2020	DATE				
				AMENDMENTS AND REVISIONS					
NO.	DATE	DESCRIPTION	APPVD						



STANDARD
CRICKET PRACTICE COURT
FENCE LAYOUT

SHEET 1 OF 2	
WORKS JOB No.	
DRAWING No.	AMEND.
A3-09712	A