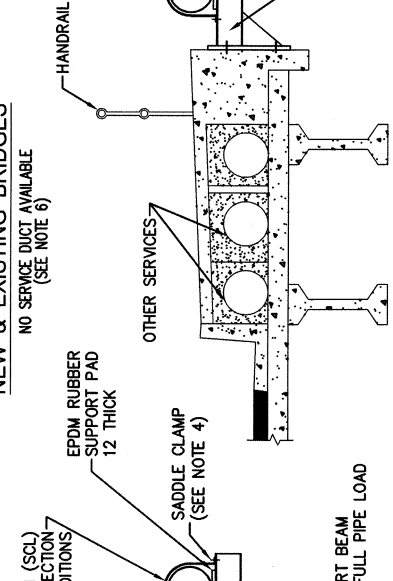


OPTION 2
NEW & EXISTING BRIDGES
NO SERVICE DUCT AVAILABLE
(SEE NOTE 6)

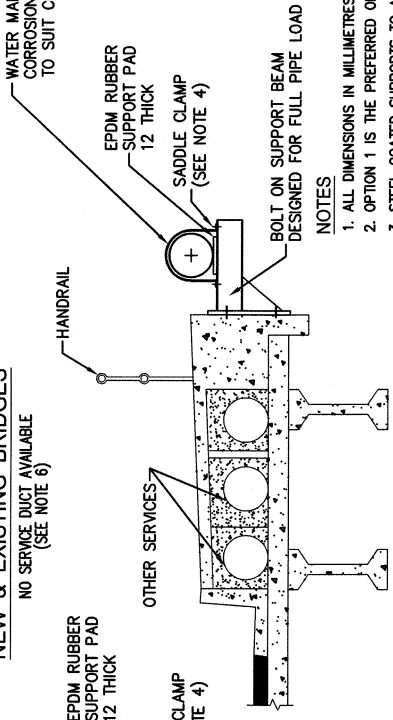


OPTION 3
NEW BRIDGE
NO SERVICE DUCT AVAILABLE
(SEE NOTE 6)

THIS IS NOT A DETAIL DRAWING
CONCEPT ONLY

WRITTEN AUTHORITY FROM
MACKAY WATER & WASTE REQUIRED

OPTION 4
NEW & EXISTING BRIDGES
NO SERVICE DUCT AVAILABLE
(SEE NOTE 6)



- NOTES
1. ALL DIMENSIONS IN MILLIMETRES.
 2. OPTION 1 IS THE PREFERRED OPTION.
 3. STEEL COATED SUPPORTS TO AS 3679.1 GRADE 250 AND HOT DIPPED GALVANISED.
 4. IN CORROSIVE ENVIRONMENTS USE STAINLESS STEEL MIN GRADE 316 FOR THE RODS, CRADLE SUPPORTS, CLAMPS, BOLTS, NUTS AND WASHERS.
 5. PROVIDE PIPE EXPANSION JOINTS AT EACH END OF BRIDGE.
 6. USE DI OR SCL PIPE ONLY FOR OPTIONS 3 & 4.
 7. DI, SCL PE OR PVC TO BE USED FOR OPTION 2. MATERIAL TYPE DEPENDS ON ENVIRONMENTAL CONDITIONS.

Mackay REGIONAL COUNCIL		DRAWING No. A3-04227	
STANDARD DRAWING AERIAL CROSSINGS BRIDGE CROSSING CONCEPTS		AMEND. C	
COMMERCIAL SERVICES		EXECUTIVE MANAGER MACKAY WATER & WASTE REPBQ 7506 JASON DEVITT DATE	
DRAWING FILE NAME M:\Engineering Services\Technical Services\Design\Projects\Standard drawings\Mackay Water\WSAA MRC\SEW CODE\A3-04227B		WSSA NO. SEW-1312 	
C 5/9 AMEND MGR SKN.	SURVEY N/A	SURVEY FILE No N/A	DATE OF LAST EDIT May 21, 2009
B MAY08 MODIFIED TO MRC STD	SLR	SURVEY FILE No N/A	JOB No
A OCT07 T'SFER TO MRC TBLOCK	SLR	LEVEL DATUM A.H.D.	MCA-55
0 WSSA ORIG.	APPVD.	MERIDIAN	MCA-55
NO. DATE	DESCRIPTION	APPVD.	MCA-55

MRC STANDARD DRAWINGS SUPERCEDES WSAA STANDARD DRAWINGS