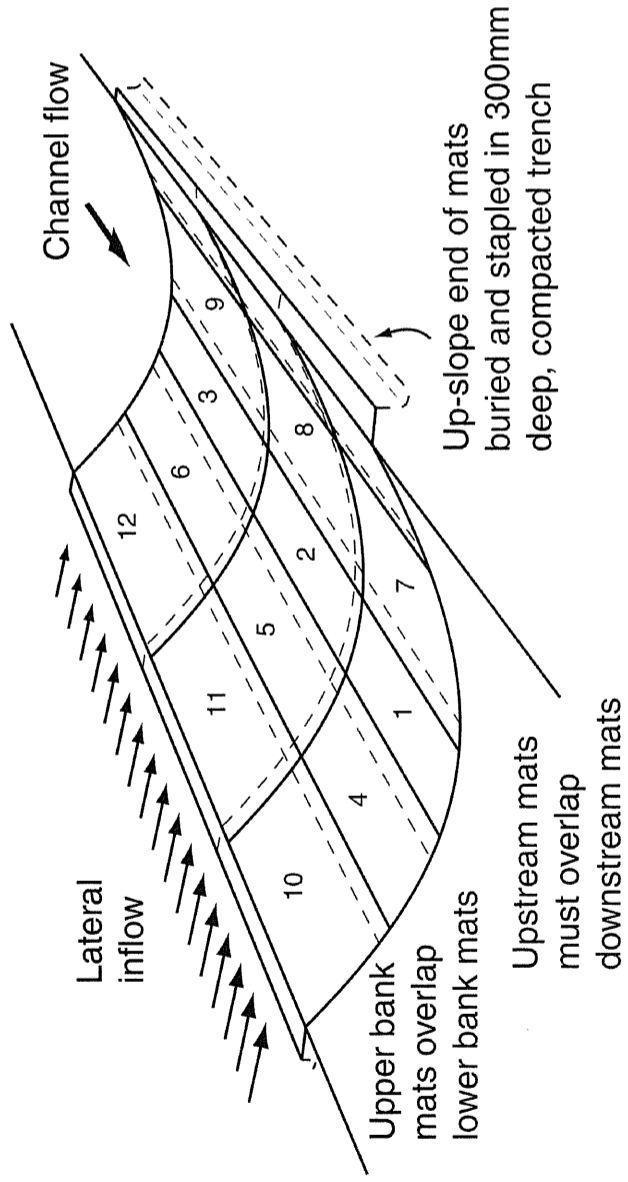
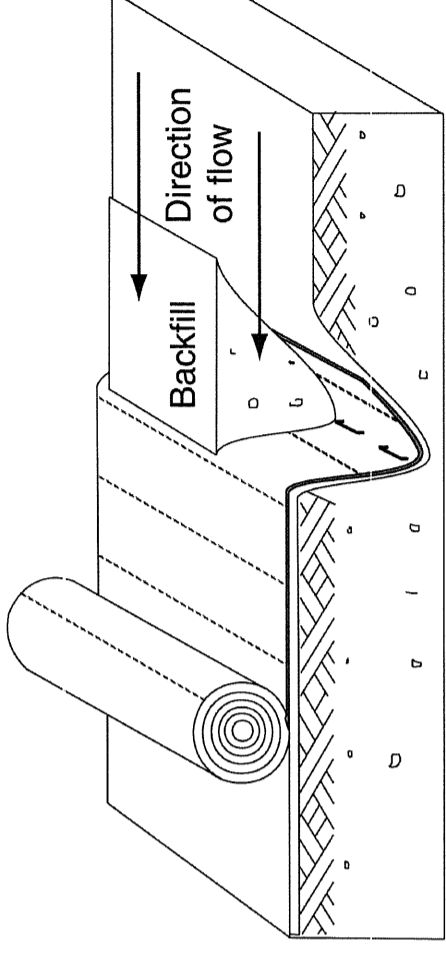


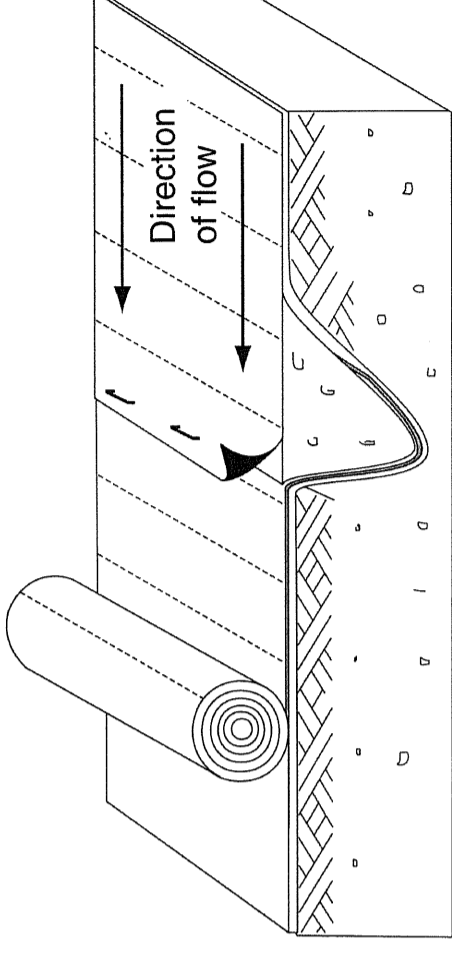
(a) Typical placement of turf reinforcement mat



(c) Typical order of mat placement



(b) Step 1: Anchoring of downstream mat



(d) Step 2: Placement of upstream mat

NOTE: LIMIT USE TO MAXIMUM FLOW VELOCITIES OF 5.0m/s.

SHEET 1 OF 1		WORKS JOB No.		DRAWING No.		AMEND.	
TURF REINFORCEMENT MATS		A3-6750		A			
		DIRECTOR ENGINEERING SERVICES S. M. Holley STUART HOLLEY RPEQ 6840		DATE 13.11.14			
DATE	12/11/14	SIGNED	POL	DATE	12/12/11	DATE	
DESIGNED	POL	CHECKED	POL	SIGNED	G. Hawes	DATE	
SURVEY		SURVEY FILE No		LEVEL DATUM		MERIDIAN	
ISSUE FOR CONSTRUCTION		APPVD		AHD		MGA 55	
AMENDMENTS AND REVISIONS							
FILE NAME DESIGNDOCUMENTS\SEC STD DRAWINGS...							