

- NOTES:
- REFER PROJECT DRAWINGS FOR TYPE OF FOOTING TO BE ADOPTED.
  - CONSTRUCTION OF POSTS & RAILS SHALL BE DONE USING STANDARD COUPLING CONNECTIONS ONLY. (NO WELDS)
  - GALVANISED CHAINWIRE TO BE 2.6mm THICK x 50 MESH TO AS2423.
  - 12Ø BARS, GRADE 250 STEEL TO AS3679, GALVANISED TO AS4680.
  - HEXAGONAL HEAD BOLTS TO AS1111. NUTS TO AS1112. WASHERS TO AS1237. GALVANISED TO AS1214 AND AS4680
  - ALL RAILS AND POSTS GALVANISED PIPE TO AS1163 AND AS4792.
  - CONCRETE N32 IN ACCORDANCE WITH AS1379 AND AS3600.
  - ALL DIMENSIONS IN MILLIMETERS UNLESS NOTED OTHER WISE

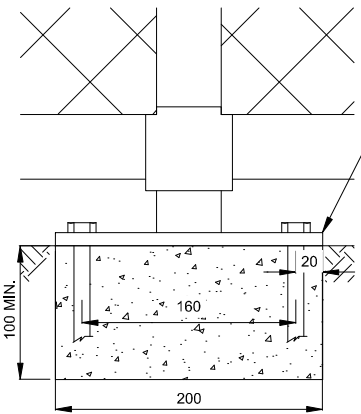
Ø12 BAR WELDED TO SLEEVE

48.3x3.2 GALV. CHS POSTS  
 CONCRETE FOOTING. APPROVED COUNCIL POST ANCHORING SYSTEM MAY BE USED INSTEAD

SURFACE MOUNTED MASONRY ANCHORS

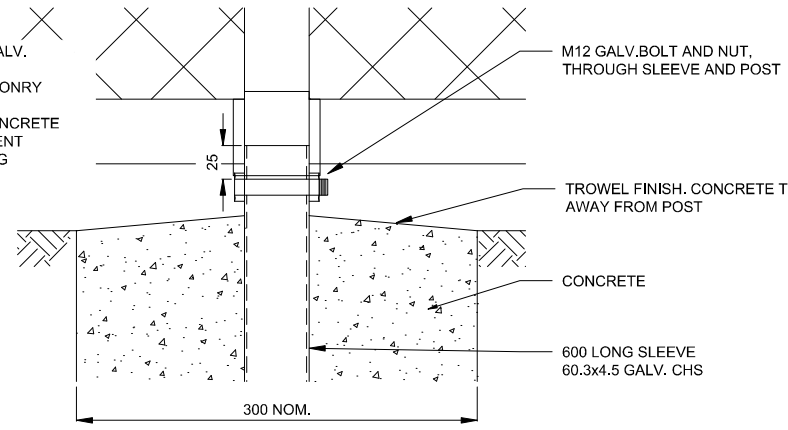
DOG PARK FENCING

NTS

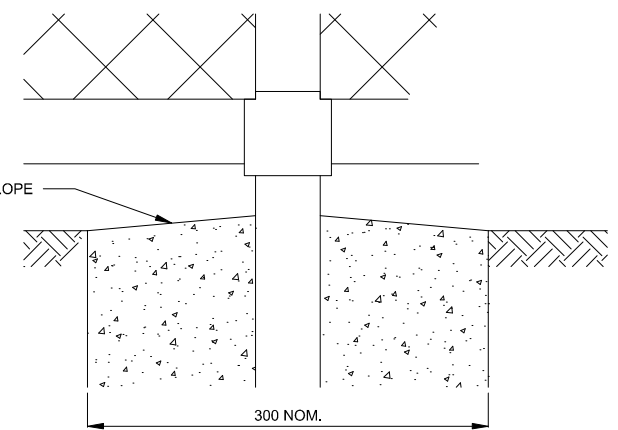


SURFACE MOUNTED MASONRY ANCHORS FOOTING DETAILS  
 NTS

200x150x10mm GALV. BASEPLATE  
 2/M12 GALV. MASONRY ANCHORS  
 100 MIN. INTO CONCRETE  
 10mm NOM. CEMENT MORTAR PACKING



SLEEVED POST FOOTING DETAILS  
 NTS



IN-GROUND POST FOOTING DETAILS  
 NTS

K:\Technical Services\Design\Projects\Standard drawings\STANDARD UPDATES - PARKS\STANDARD DRAWINGS FOR FINAL REVIEW\A3-09701A.dwg

						SURVEYED BY	DRAWN	SIGNED	DATE	ASSET OWNER	Digitally signed by Jason Cocker Date: 2021.03.03 16:21:19 +1000'
						SURVEY FILE No	DESIGNED	SIGNED	DATE	Jason Cocker	
						LEVEL DATUM	CHECKED	SIGNED	DATE	JASON COCKER	DATE
A	02/21	ORIGINAL ISSUE				A.H.D.	MANAGER / CO-ORDINATOR			CERTIFIED	
NO.	DATE	DESCRIPTION	APPVD	HOR. DATUM / DATE							
		AMENDMENTS AND REVISIONS		MGA 94/2020							



STANDARD  
 DOG PARK  
 DOG OF LEASH AREA FENCING DETAIL

SHEET 1 OF 1	
WORKS JOB No.	
DRAWING No.	AMEND.
A3-09701	A