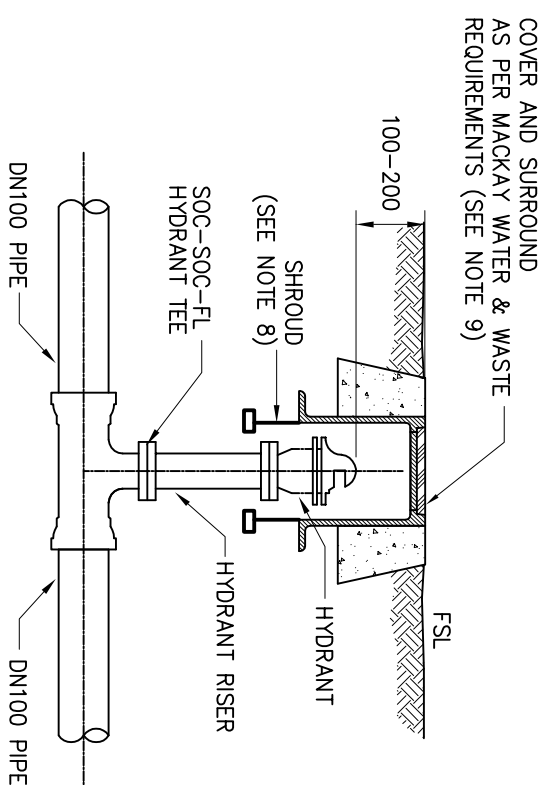


**CUL DE SAC MAINS DETAIL**



**DETAIL 'A1'**  
**IN-LINE CONNECTION**

**NOTES:**

1. ALL DIMENSIONS IN MILLIMETRES UNLESS OTHERWISE NOTED.
2. PIPE MATERIALS TO BE:  
PVC  
- COPPER TYPE A TO AS 1432 AND COPPER ALLOY FITTINGS TO AS 3688.
3. PVC FITTINGS TO BE CLASS PN 16.
4. BACKING FLANGES, NUTS, BOLTS & WASHERS TO BE MANUFACTURED FROM 316 STAINLESS STEEL.
5. PVC PIPE MAY BE USED AS SHROUD PIPE, CUT AS REQUIRED TO CLEAR HYDRANT FLANGE.
6. FOR COVERS AND SURROUNDS DETAILS SEE A3-00837 & TO A3-00838.
7. FOR CONNECTION TO EXISTING MAINS SEE ALSO A3-04271.
8. TYPICAL PE HYDRANT PIPEWORK ASSEMBLIES ARE DETAILED IN A3-04314.
9. THRUST RESTRAINT IN ACCORDANCE WITH A3-04283, SOCKETED VALVES MAY BE USED AS AN ALTERNATIVE TO THE TAPER THRUST BLOCK.

|     |       |                      |        |          |        |        |
|-----|-------|----------------------|--------|----------|--------|--------|
| NO. | DATE  | DESCRIPTION          | APPVD. | MERIDIAN | MGA-55 | JOB No |
| C   | MAY08 | MODIFIED TO MRC STD  | SLR    |          |        |        |
| B   | NOV07 | NOTE ADDED           | NR     |          |        |        |
| A   | OCT07 | TRANSFER TO MW TBLCK | SLR    |          |        |        |
| 0   |       | WSAA ORIG            |        |          |        |        |

**DRAWING FILE NAME**  
F:\Mackay Water\DESIGN\WSAA MRC\WAT CODE\A3-04270C

**SURVEY N/A**

**SURVEY FILE No N/A**

**LEVEL DATUM A.H.D.**

**DATE OF LAST EDIT**  
August 7, 2008

**WATER & WASTE**

**GENERAL MANAGER**  
MACKAY WATER & WASTE  
RPEQ 8506

*K. VAHESAN*

MAY08  
DATE



**STANDARD DRAWING**  
TYPICAL MAINS CONSTRUCTION  
DN 100 IN-LINE CUL DE SAC  
ARRANGEMENT

**DRAWING No.**  
A3-04270

**AMEND.**  
C

**SHEET 1 OF 1**

