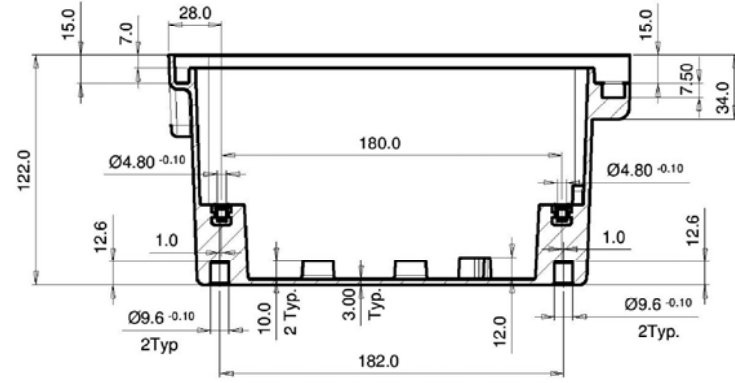
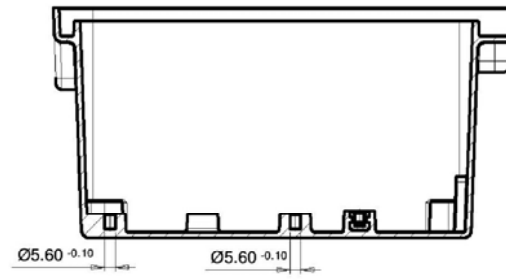


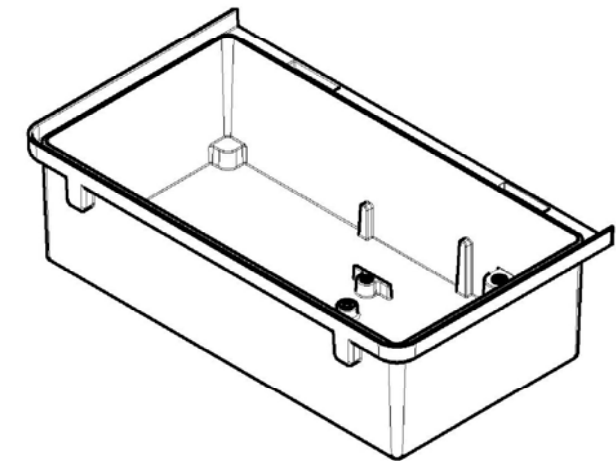
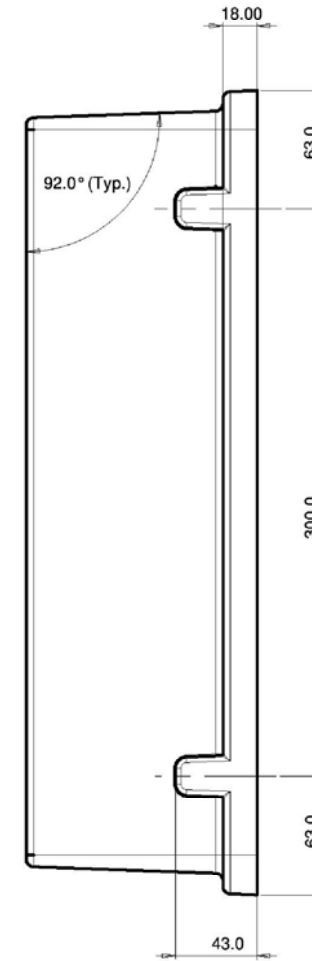
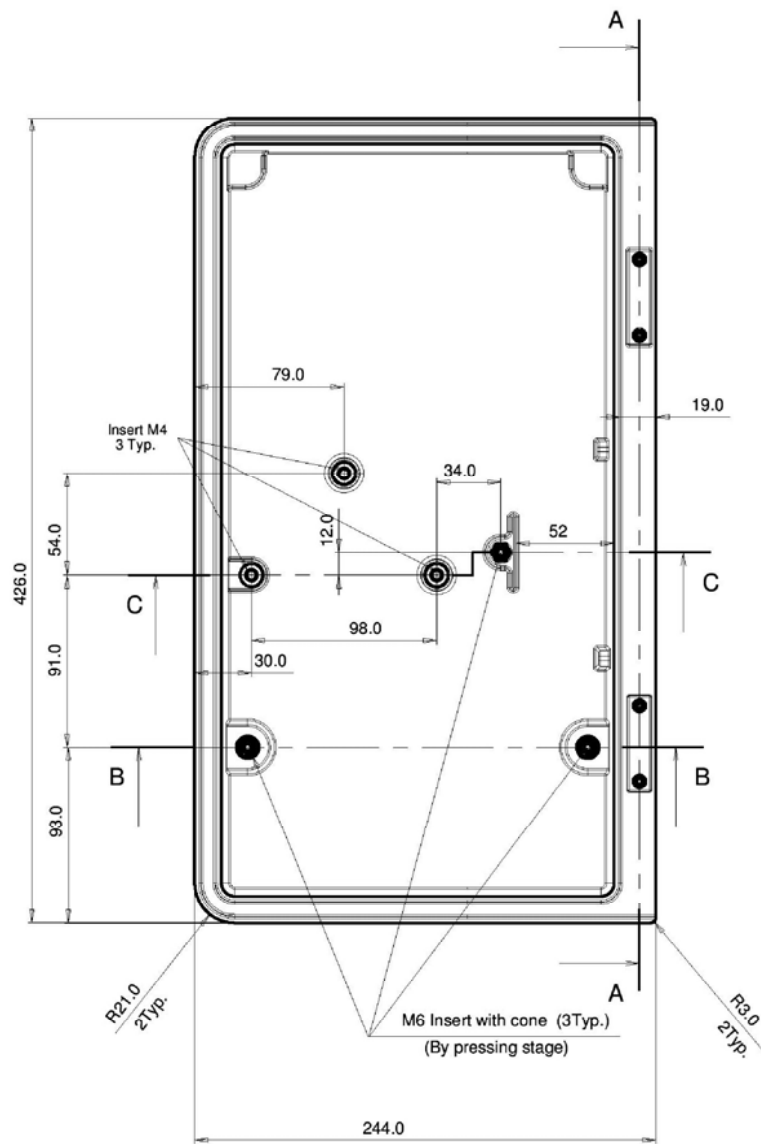
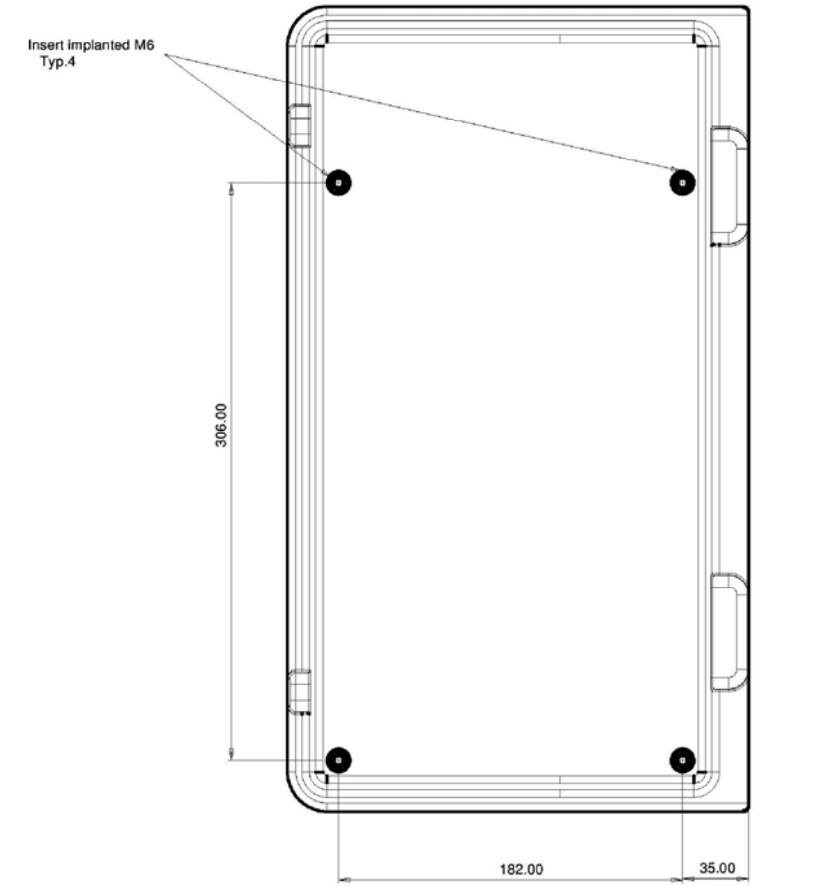
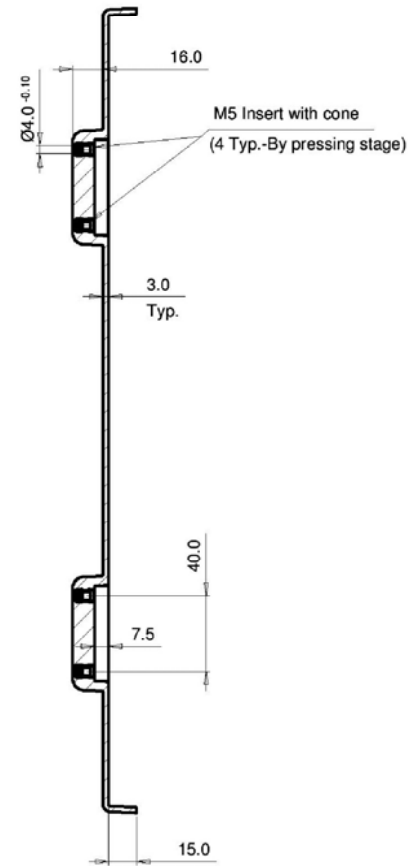
Section B-B



Section C-C



Section A-A



A	26.11.14	ORIGINAL ISSUE	
	DATE	DESCRIPTION	APPVD
AMENDMENTS AND REVISIONS			
I\STANDARD DRAWINGS\A3-00913.DWG			

SURVEY	DRAWN	SIGNED	DATE
	R.MILES	R.MILES	26.11.14
SURVEY FILE No	DESIGNED	SIGNED	DATE
	PARKLAND	PARKLAND	
LEVEL DATUM	CHECKED	SIGNED	DATE
	G.TAYLOR	G.TAYLOR	26.11.14
MERIDIAN	MANAGER PARKS & ENVIRONMENT		
	ORIGINAL SIGNED BY	DATE	
	PETER OWEN	27.11.14	

DIRECTOR	ORIGINAL SIGNED BY
COMMUNITY & CLIENT SERVICES	GERARD CARLYON
DATE	10.12.14



STANDARD IRRIGATION
PICCOLO XR CABINET

SHEET 1 OF 1	
WORKS JOB No.	
DRAWING No.	AMEND.
A3-00913	A