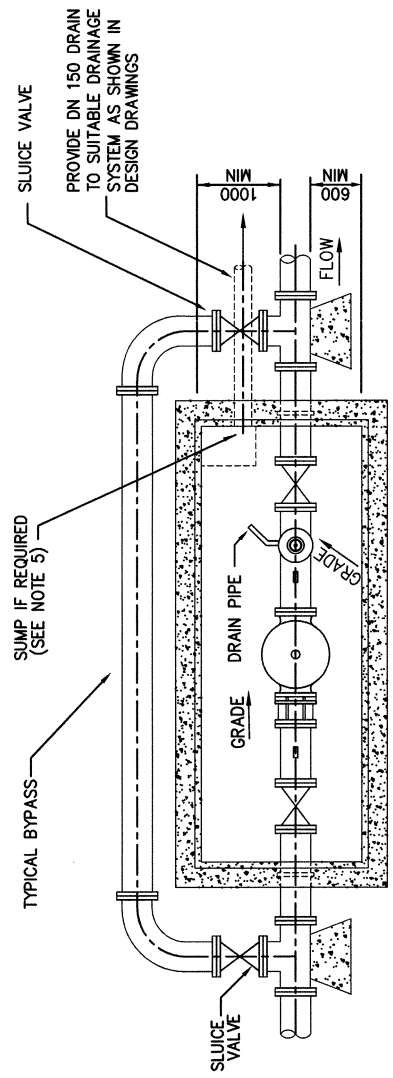


**SECTIONAL ELEVATION**

**ALTERNATIVE ABOVE GROUND INSTALLATION**  
(TO BE INSTALLED IN A CAGE OR BUILDING)



**PLAN VIEW**

- NOTES:**
1. ALL DIMENSIONS IN MILLIMETRES.
  2. DETAIL AND DIMENSIONS OF SUPPORT BEAMS AND METAL COVER AND FRAME TO BE SPECIFIED IN DESIGN DRAWINGS. METAL ACCESS COVERS AND FRAMES TO CONFORM TO AS 3996:
    - CLASS "B" FOR NON TRAFFICABLE AREAS.
    - CLASS "D" FOR TRAFFICABLE AREAS.
  3. ALL COMPONENTS SHALL BE FBE COATED AND JOINED WITH 316 STAINLESS STEEL BOLTS.
  4. THRUST BLOCKS AND SUPPORT CONCRETE TO BE N20. REINFORCED CONCRETE CHAMBER & VALVE RESTRAINT TO BE N25.
  5. GRADE CHAMBER FLOOR TOWARDS DRAIN. (OR PROVIDE 600 SQ x 400 DEEP SUMP AND SUMP PUMP IF REQUIRED)
  6. ATTACH PUDDLE FLANGES TO DI PIPES. CONCRETE WALLS TO BE DESIGNED TO ENSURE THRUST IS RESTRAINED AT PUDDLE FLANGES.
  7. PROVIDE SUFFICIENT ACCESS FOR OPERATION & MAINTENANCE OF VALVES.
  8. WALL & FLOOR THICKNESS AND REINFORCEMENT DETAILS FOR CHAMBER TO BE AS SHOWN IN DESIGN DRAWINGS.

MRC STANDARD DRAWINGS SUPERCEDES WSMA STANDARD DRAWINGS

<b>C</b> <b>SP</b> <b>ANSAD</b> <b>MCR</b> <b>SKN</b> · <b>JC</b>	DRAWING FILE NAME M:\Engineering Services\Technical Services\Design\Projects\Standard drawings\Mackay Water\WSAA MRC\WAT CODE\A3-043008		COMMERCIAL SERVICES		<b>Mackay REGIONAL COUNCIL</b>  EXECUTIVE MANAGER MACKAY WATER & WASTE RPEQ 7506  	DRAWING No. <b>A3-04300</b>  AMEND. <b>C</b>
	SURVEY FILE No N/A		WAT-1309			
B	MAY08	MODIFIED TO MRC STD	SLR	SURVEY N/A	JASON DEVITT DATE <b>27 MAY 09</b>	SHEET 1 OF 1
A	OCT07	T'SFER TO MRC TBLOCK	SLR	DATE OF LAST EDIT May 21, 2009		
0		WSAA ORIG.		LEVEL DATUM A.H.D.		
NO	DATE	DESCRIPTION	APPVD.	MERIDIAN MGA-55	JOB No	