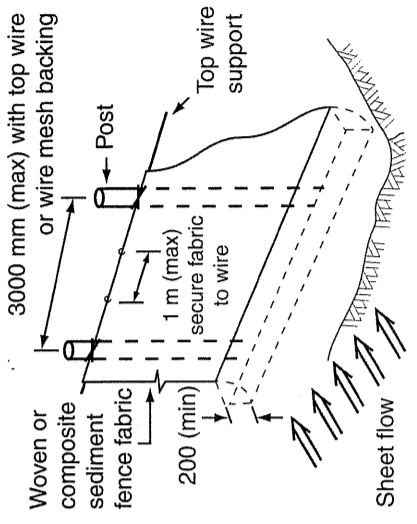
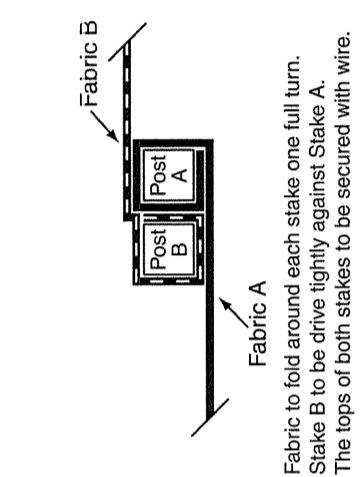


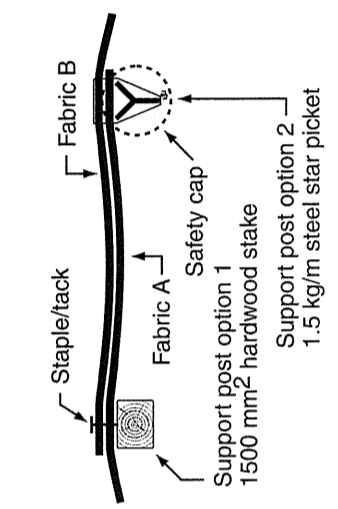
(d) Installation without backing support



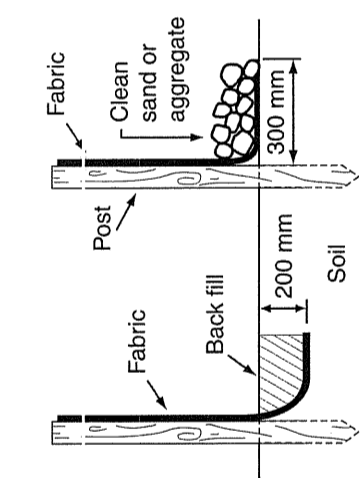
(h) Installation with top wire support



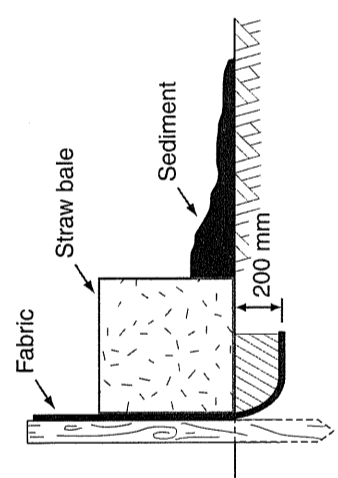
(c) Joining fabric - Method 1



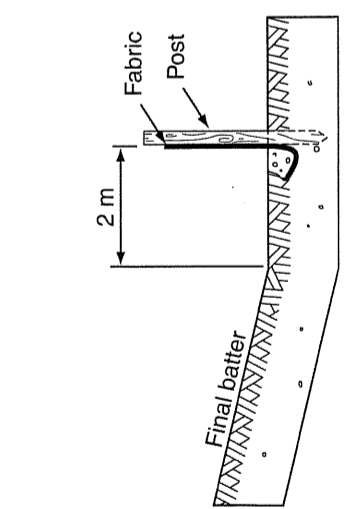
(g) Joining fabric - Method 2



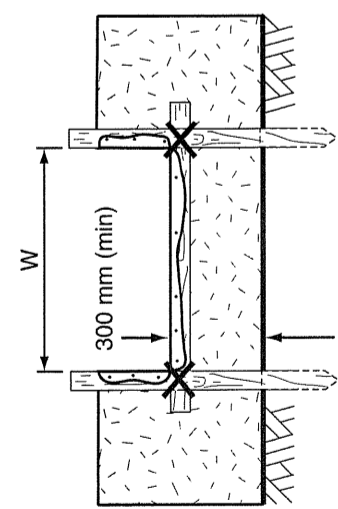
(b) Anchoring base of fabric



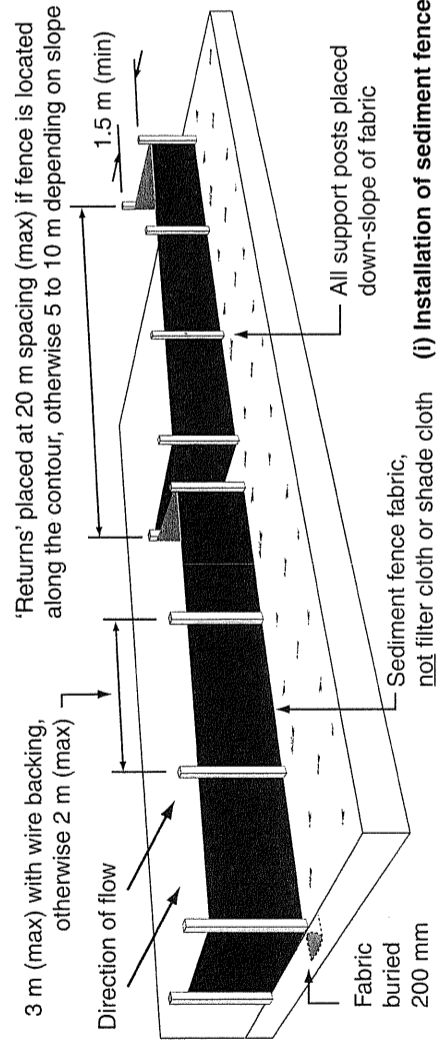
(f) Placement of up-slope straw bale



(a) Location of fence relative to base of slope



(e) Spill-through weir



(i) Installation of sediment fence

Notes:

1. Sediment fence to be installed along a line of constant ground elevation wherever practical.
2. Both end of the sediment fence to extend up the slope at least 1m.
3. Support post to be spaced a maximum 2m unless the fence is supported by a top wire or wire mesh backing, in which case 3m maximum spacing.
4. Fence 'returns' shall be installed at maximum 20m spacing if fence is installed along the contour, otherwise 5 to 10m maximum spacing.
5. Minimum 4 staples or tie wires per stake.



SEDIMENT FENCE

SHEET 1 OF 1	
WORKS JOB No. -	
DRAWING No.	AMEND.
A3-6869	A

DIRECTOR ENGINEERING SERVICES	DATE 12/12/11
S. M. H. LEE	DATE 12/12/11
STUART HOLLEY RPEQ 8940	DATE 12/12/11

DRAWN PDC	SIGNED PDC	DATE 12/12/11
DESIGNED PDC	SIGNED PDC	DATE 12/12/11
CHECKED	SIGNED	DATE
MANAGER TECHNICAL SERVICES		
G. HAWES RPEQ 5693		

SURVEY	LEVEL DATUM	APPVD
SURVEY FILE No	AHD	
MERIDIAN	MGA 55	

NO.	DATE	DESCRIPTION
A	18/11/11	ISSUE FOR CONSTRUCTION
AMENDMENTS AND REVISIONS		
DESIGN DOCUMENTS/SESC STD DRAWINGS...		