

INSTALLATION

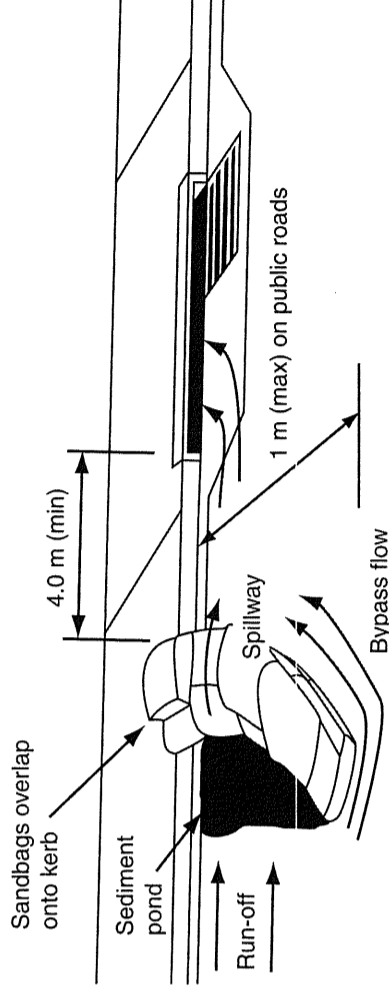
1. REFER TO APPROVED PLANS FOR LOCATION AND INSTALLATION DETAILS. IF THERE ARE QUESTIONS OR PROBLEMS WITH THE LOCATION, DIMENSIONS, OR METHOD OF INSTALLATION, CONTACT THE ENGINEER OR RESPONSIBLE ON-SITE OFFICER FOR ASSISTANCE.
2. ENSURE THAT THE INSTALLATION OF THE SEDIMENT TRAP WILL NOT CAUSE UNDESIRABLE SAFETY OR FLOODING ISSUES.
3. INSTALL SEDIMENT TRAP IN ACCORDANCE WITH STANDARD DRAWING SUPPLIED WITH THE APPROVED PLAN, OR AS DIRECTED BY THE SITE SUPERVISOR.
4. ENSURE THE SEDIMENT TRAP IS CONSTRUCTED UP-SLOPE OF AN ON-GRADE KERB INLET. THE SEDIMENT TRAP MUST NOT SURROUND THE KERB INLET UNLESS SPECIFICALLY DIRECTED BY THE SITE SUPERVISOR.
5. IF NECESSARY, INSTALL ADDITIONAL SEDIMENT TRAPS UP-SLOPE OF THE KERB INLET TO ADEQUATELY RETAIN THE EXPECTED QUANTITY OF SEDIMENT RUNOFF.
6. TAKE ALL NECESSARY MEASURE TO MINIMISE THE SAFETY RISK CAUSED BY THE STRUCTURE.

MAINTENANCE

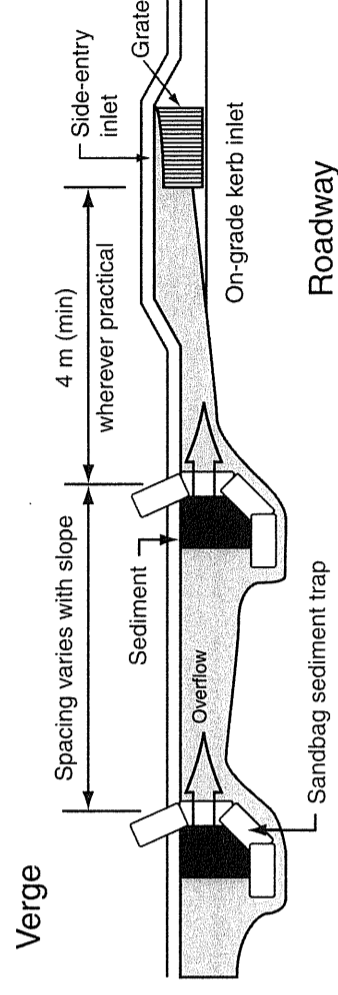
1. INSPECT ALL SEDIMENT TRAPS DAILY AND IMMEDIATELY AFTER RUNOFF-PRODUCING RAINFALL. MAKE REPAIRS AS NEEDED.
2. REMOVE COLLECTED SEDIMENT AND DISPOSE OF IN A SUITABLE MANNER THAT WILL NOT CAUSE AN EROSION OR POLLUTION HAZARD.
3. ENSURE SEDIMENT DOES NOT ENTER THE STORMWATER DRAIN DURING DE-SILTING OPERATIONS AND MAINTENANCE OF THE TRAP.
4. SEDIMENT ON THE ROAD MUST BE REMOVED IMMEDIATELY IF IT REPRESENTS A SAFETY HAZARD.

REMOVAL

1. WHEN THE UP-SLOPE DRAINAGE AREA HAS BEEN STABILISED, REMOVE ALL MATERIALS INCLUDED DEPOSITED SEDIMENT AND DISPOSE OF IN A SUITABLE MANNER THAT WILL NOT CAUSE AN EROSION OR POLLUTION HAZARD.



(a) Sandbag sediment collection dam



(b) Typical layout of on-grade kerb inlet sediment traps

NO.	DATE	DESCRIPTION	APPVD
A	18/11/11	ISSUE FOR CONSTRUCTION	
AMENDMENTS AND REVISIONS			
FILE NAME DESIGNDOCUMENTS\SESC STD DRAWINGS\...			

SURVEY	
SURVEY FILE NO	
LEVEL DATUM	AHD
MERIDIAN	MGA 55

DRAWN	PDG	SIGNED	PDG	DATE	12/12/11
DESIGNED	PDG	SIGNED	PDG	DATE	12/12/11
CHECKED		SIGNED		DATE	
MANAGER TECHNICAL SERVICES		G. HAWES RPEQ 5693			

DIRECTOR ENGINEERING SERVICES	DATE	20.12.11
<i>S. M. Holley</i>		
STUART HOLLEY RPEQ 8924		



ON-GRADE KERB INLET SEDIMENT TRAP