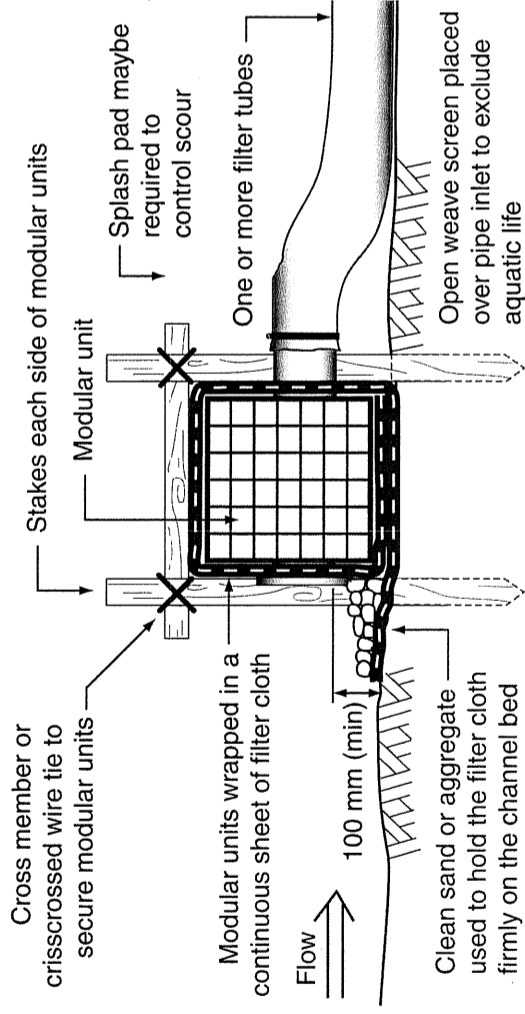
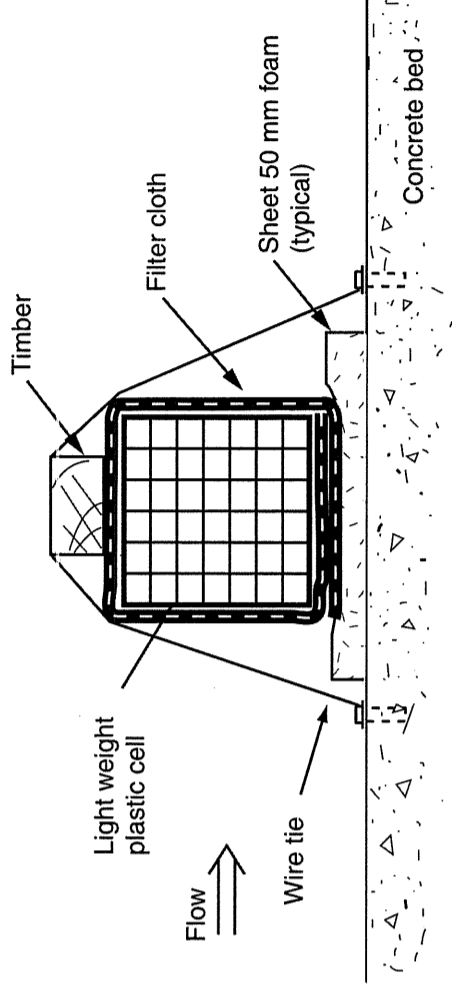


**(a) Typical installation of modular sediment barrier on the bed of a watercourse**



**(c) Modular sediment barrier with integrated filter tube**



**(b) Typical installation of modular sediment barrier within a concrete-lined channel**

**Notes:**

1. The use of timber stakes is just one method of anchoring the modular units.
2. Alternative anchoring methods may be used so long as the anchoring system is able to suitable restrain the units against expected hydraulic forces.
3. It is important to ensure a good contact is achieved between the modular units and the ground surface to prevent leakage.

NO.	DATE	DESCRIPTION	APPVD
A	18/11/11	ISSUE FOR CONSTRUCTION	
AMENDMENTS AND REVISIONS			
FILE NAME DESIGNDOCUMENTS\SEC STD DRAWINGS\...			

SURVEY	SIGNED	DATE
	POG	21/12/11
SURVEY FILE NO	DESIGNED	DATE
	POG	21/12/11
LEVEL DATUM	CHECKED	DATE
AHD		
MERIDIAN	MANAGER TECHNICAL SERVICES	DATE
MGA 55	G. HAWES RPEQ 5693	21/12/11

DIRECTOR  
ENGINEERING SERVICES  
**S.M. Holley**  
STUART HOLLEY RPEQ 8940

**Mackay**  
REGIONAL COUNCIL

DATE **21.12.11**

**MODULAR BARRIER (INSTREAM)**

SHEET 1 OF 1
WORKS JOB No.
DRAWING No.
AMEND.
<b>A3-6855</b>
<b>A</b>