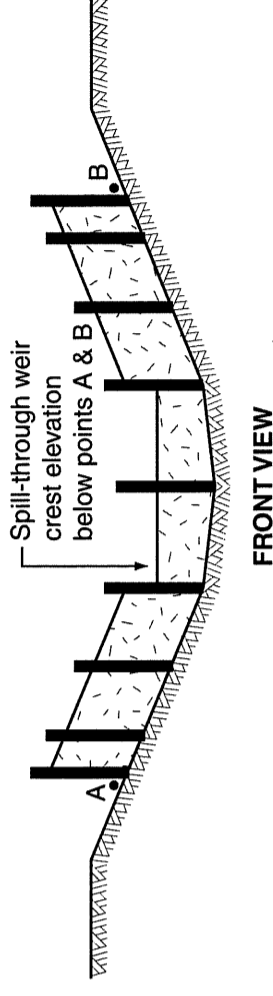
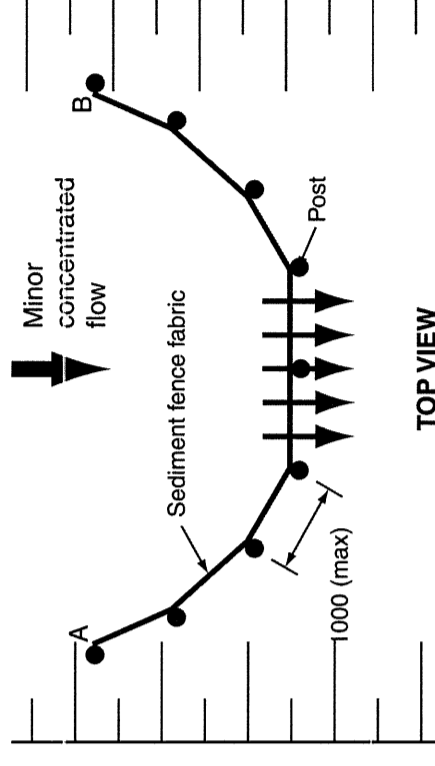
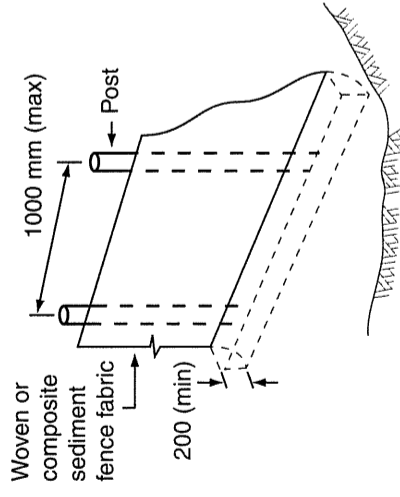


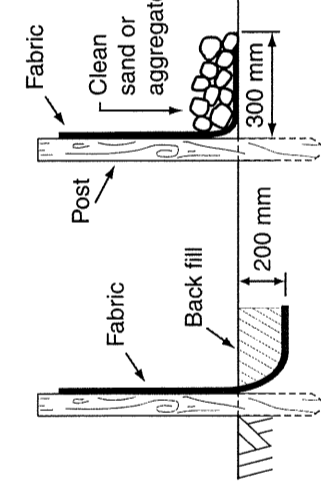
(a) Type AU 'narrow' sediment trap



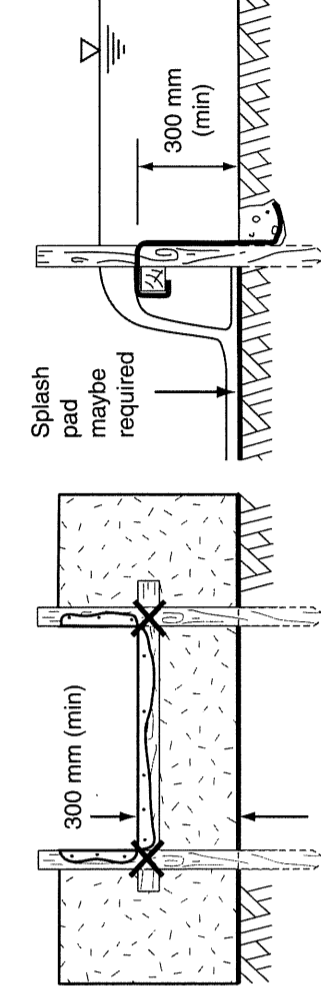
(b) Type BU 'wide' sediment trap



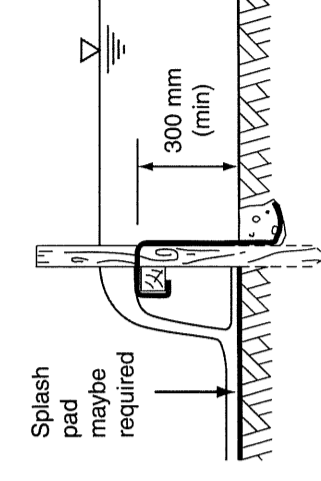
(c) Spacing of support posts



(d) Trenching of fabric



(e) Spill-through weir



(f) Sectional view of weir

NO.	DATE	DESCRIPTION	APPVD
A	18/11/11	ISSUE FOR CONSTRUCTION	
		AMENDMENTS AND REVISIONS	
		DESIGN DOCUMENTS/SEC STD DRAWINGS...	

SURVEY	DESIGNED	CHECKED	MANAGER TECHNICAL SERVICES
	PDG	PDG	G. Hawes
	12/12/11	12/12/11	12/12/11
			G. HAWES RPEQ 5693

DATE	SIGNED	DATE	SIGNED
12/12/11	PDG	12/12/11	PDG

Mackay
REGIONAL COUNCIL

U-SHAPED SEDIMENT TRAP

SHEET 1 OF 1	WORKS JOB No.	DRAWING No.	AMEND.
		A3-6794	A