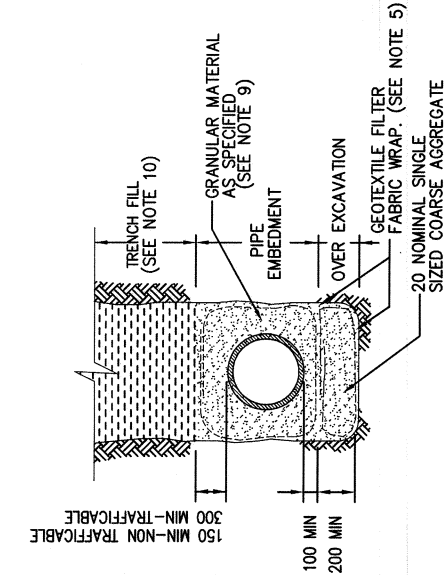


TYPES 5 & 6 SUPPORT

UTILISING CONCRETE FOUNDATION
NON-REINFORCED (TYPE 5)
REINFORCED (TYPE 6)
(RIGID & FLEXIBLE PIPES)

USE LIMITED TO 1 000 SPANS OF LOW BEARING CAPACITY GROUND. (SOFT CLAYS AND LOOSE SAND) LONGER LENGTHS SUBJECT TO INDIVIDUAL ASSESSMENT.



TYPE 7 SUPPORT

UTILISING GEOTEXTILE PILLOW FOUNDATION
(RIGID & FLEXIBLE PIPES)

NOTES:

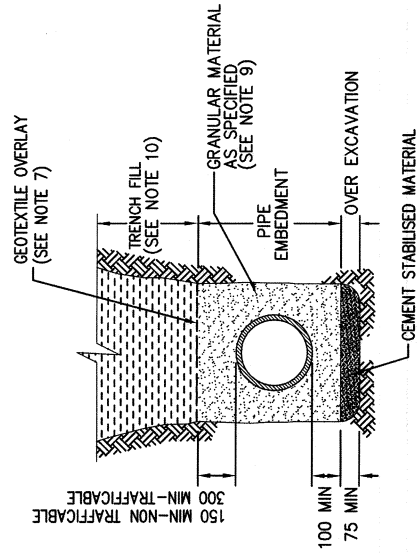
1. REFER TO MCC STANDARD DRAWING A3-00584. GENERALLY TYPE 1 & 3 SUPPORTS WILL BE ACCEPTABLE HOWEVER IT IS UP TO THE DESIGNER AND / OR CONSTRUCTOR TO RECOMMEND REQUIREMENTS.

2. REFER TO CLAUSE 20.1 OF WSA-02, AS AMENDED WITHIN DEVELOPMENT CONSTRUCTION SPECIFICATION - SEWERAGE (C-402) FOR EMBEDMENT TYPES.

3. ALL DIMENSIONS IN MILLIMETRES.

4. USE THESE SUPPORT TYPES ONLY WHERE SPECIFIED BY THE DESIGNER. DETAILS TO BE PROVIDED IN DESIGN DRAWINGS.

5. LAY GEOTEXTILE FILTER FABRIC AGAINST THE TRENCH FLOOR AND WALL SUCH THAT IT FULLY ENCASES THE FOUNDATION MATERIAL IN THE OVER EXCAVATION. EMBEDMENT (IF REQUIRED) ENCASE SEPARATELY. PROVIDE A MINIMUM OF 250 LAP AT ALL FILTER FABRIC JOINTS. SEE SEW-1202 FOR GEOTEXTILE SYSTEM DETAILS.



TYPE 8 SUPPORT

UTILISING CEMENT STABILISED FOUNDATION
(RIGID & FLEXIBLE PIPES)

6. UNREINFORCED CONCRETE TO BE CLASS N20, AND REINFORCED CONCRETE N25. FOR AGGRESSIVE CONDITIONS USE SPECIAL CLASS CONCRETE.

7. MINIMUM STEEL REINFORCEMENT OF 0.4% OF CONCRETE CROSS SECTION PLACED CENTRALLY AND WITH 65 MINIMUM COVER TO EXTERNAL FACE.

8. REINFORCEMENT DETAILS FOR THE APPLICABLE LOADING TO BE INCLUDED IN THE DESIGN DRAWINGS.

9. BEDDING TO BE DEEP ENOUGH TO ENSURE PIPE JOINT PROJECTIONS (SOCKETS, FLANGES) DO NOT TOUCH FOUNDATION.

10. GEOTEXTILE OVERLAY IS REQUIRED FOR COARSE AGGREGATE EMBEDMENT. (IE SINGLE SIZED GRANULAR FILL > 5 mm).

11. PURCHASE SPECIFICATIONS FOR TRENCH FILL & EMBEDMENT MATERIAL ARE DETAILED IN WSA 02 PART 2.

EMBEDMENT TYPES TO BE SPECIFIED IN DESIGN DRAWINGS

D	S/S	AMEND	MGR	SIGN.	JC	DRAWING FILE NAME	COMMERCIAL SERVICES	STANDARD DRAWING	DRAWING No.
C	MAY08	MODIFIED TO	MRC STD	SLR	JC	M:\Engineering Services\Technical Services\Design\Projects\Standard drawings\Mackay Water\WSAA MRC\SEW CODE\A3-0290C	EXECUTIVE MANAGER MACKAY WATER & WASTE RPEQ 7506	SPECIAL EMBEDMENT	A3-04209
B	NOV07	1-2 NOTES ADDED		SLR		SURVEY N/A		INADEQUATE FOUNDATIONS	AMEND. D
A	OCT07	TRANSFER TO MRC TBLOCK		SLR		SURVEY FILE No N/A		REPAIR CEMENT EXCAVATION	
0		WSSA ORIG.				LEVEL DATUM A.H.D. May 21, 2009			
NO.	DATE	DESCRIPTION		APPRD.	MERRIDIAN	MGA-55	JASON DEVITT		
							DATE		
							27 MAY09		
									SHEET 1 OF 1

MRC STANDARD DRAWINGS SUPERCEDES WSAA STANDARD DRAWINGS

