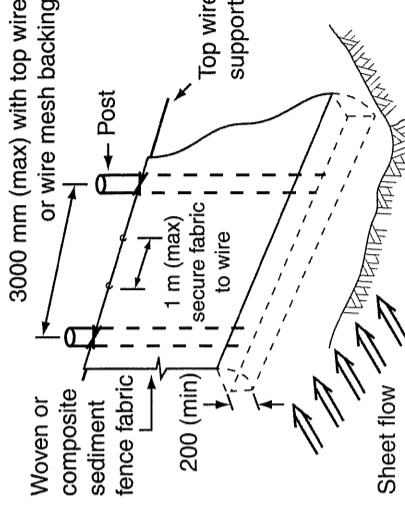
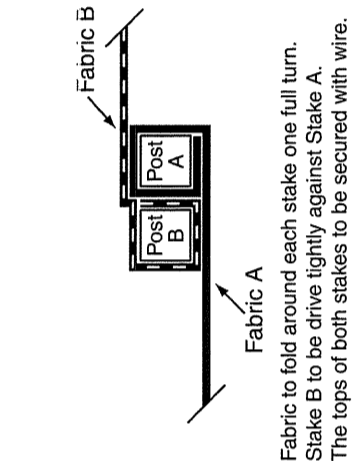


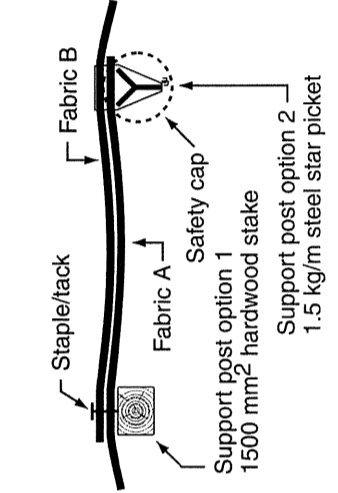
(d) Installation without backing support



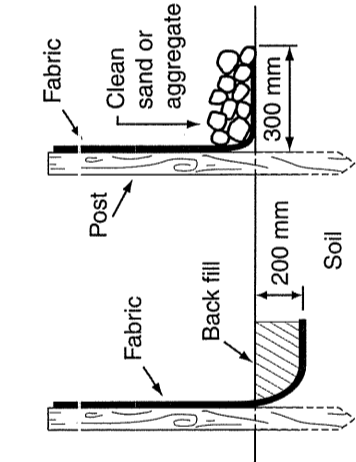
(h) Installation with top wire support



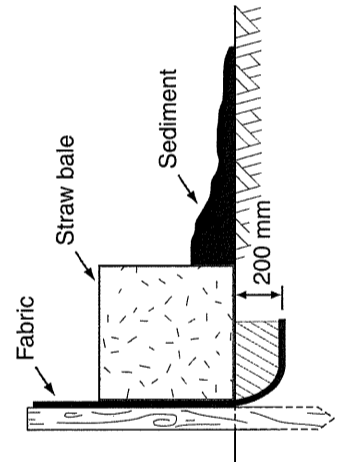
(c) Joining fabric - Method 1



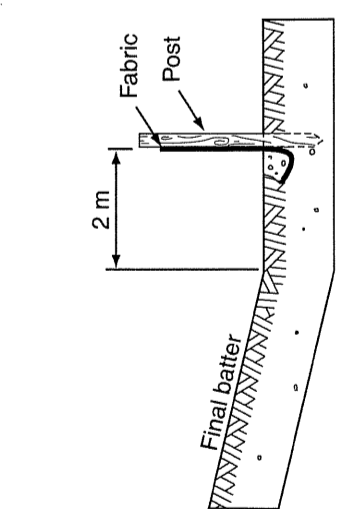
(g) Joining fabric - Method 2



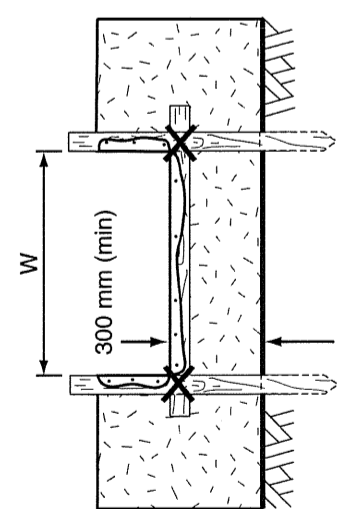
(b) Anchoring base of fabric



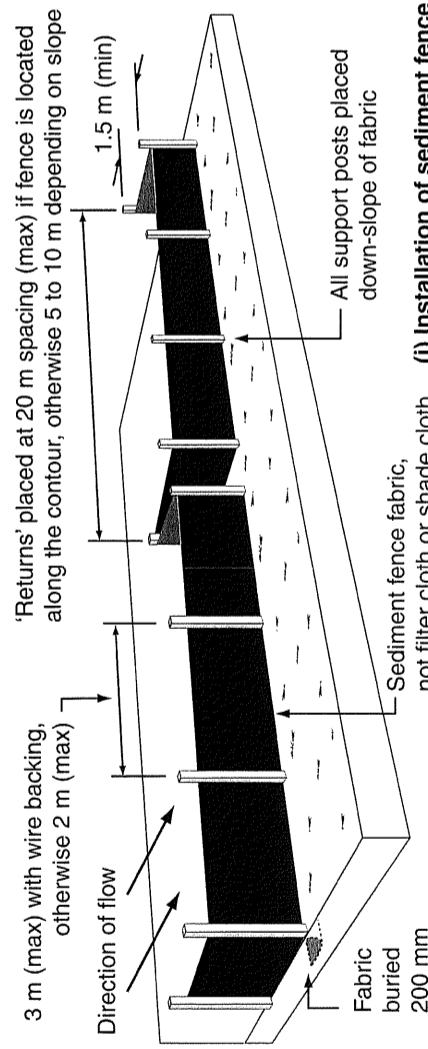
(f) Placement of up-slope straw bale



(a) Location of fence relative to base of slope



(e) Spill-through weir



(i) Installation of sediment fence

Notes:

1. Sediment fence to be installed along a line of constant ground elevation wherever practical.
2. Both end of the sediment fence to extend up the slope at least 1m.
3. Support post to be spaced a maximum 2m unless the fence is supported by a top wire or wire mesh backing, in which case 3m maximum spacing.
4. Fence 'returns' shall be installed at maximum 20m spacing if fence is installed along the contour, otherwise 5 to 10m maximum spacing.
5. Minimum 4 staples or tie wires per stake.

SEDIMENT FENCE



DIRECTOR
ENGINEERING SERVICES
Stuart Holley
STUART HOLLEY RPEQ 8800
DATE 20/12/11

DATE	12/12/11
SIGNED	<i>G. Hawes</i>
DESIGNED	POG
CHECKED	POG
SIGNED	POG
DATE	12/12/11
MANAGER TECHNICAL SERVICES	G. Hawes
G. HAWES RPEQ 5693	

SURVEY	
SURVEY FILE No	
LEVEL DATUM	AHD
MERIDIAN	MGA 55

NO.	DATE	DESCRIPTION	APPVD
A	18/11/11	ISSUE FOR CONSTRUCTION	
AMENDMENTS AND REVISIONS			
FILE NAME DESIGNDOCUMENTS\SECS STD DRAWINGS\...			