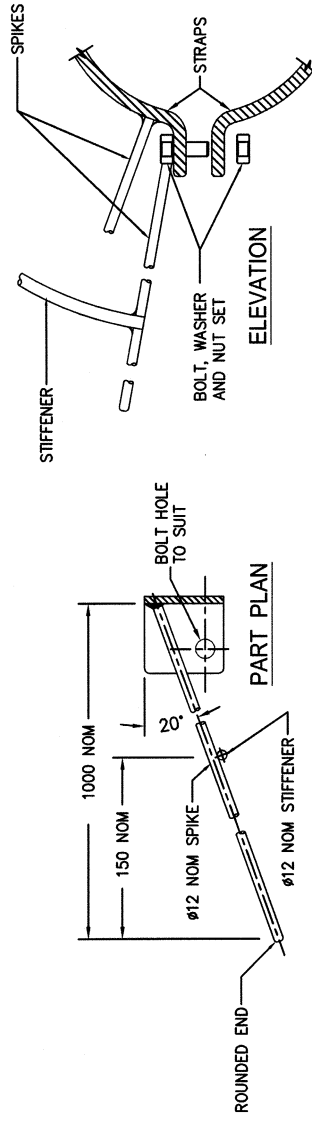


STEEL PROTECTION GRILLE

ELEVATION

END ELEVATION



COMPONENT & FABRICATION DETAILS

- NOTES:**
1. ALL DIMENSIONS IN MILLIMETRES.
 2. ALL ITEMS TO BE STEEL AND HOT DIP GALVANISED AFTER FABRICATION.
 3. PLACE 3 THICK RUBBER INSERTION BETWEEN CLAMPS AND PIPELINE.
 4. INCLUDE SIGN "DANGER KEEP OFF" WHERE SPECIFIED BY MACKAY WATER & WASTE.
 5. STEEL TO BE GRADE 250 TO AS 3679.1.

MRC STANDARD DRAWINGS SUPERCEDES WSAA STANDARD DRAWINGS

C S/9 AMEND MGR SKIN. B MAY08 MODIFIED TO MRC STD A OCT07 TSFER TO MRC TBLOCK 0 WSSA ORIG.	JC SLR SLR APPVD.	DRAWING FILE NAME M:\Engineering Services\Technical Services\Design\Projects\Standard drawings\Mackay Water\WSAA MRC\SEW CODE\A3-04226				COMMERCIAL SERVICES EXECUTIVE MANAGER MACKAY WATER & WASTE RFB# 7506	Mackay REGIONAL COUNCIL DRAWING No. A3-04226 AMEND. C	STANDARD DRAWING AERIAL CROSSINGS AQUEDUCT PROTECTION GRILLE
		SURVEY FILE No N/A SURVEY FILE No 1311 LEVEL DATUM A.H.D. MERIDIAN MGA-55	DATE OF LAST EDIT May 21, 2009	JOB No 27	DATE MAY09			
NO. DATE DESCRIPTION	APPVD.	MERIDIAN	WATER SERVICES ASSOCIATION of Australia	JASON DEVITT	DATE	SHEET 1	OF 1	