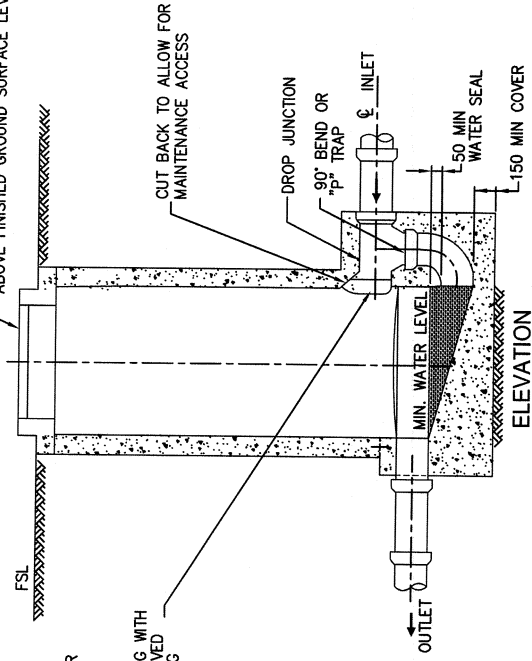
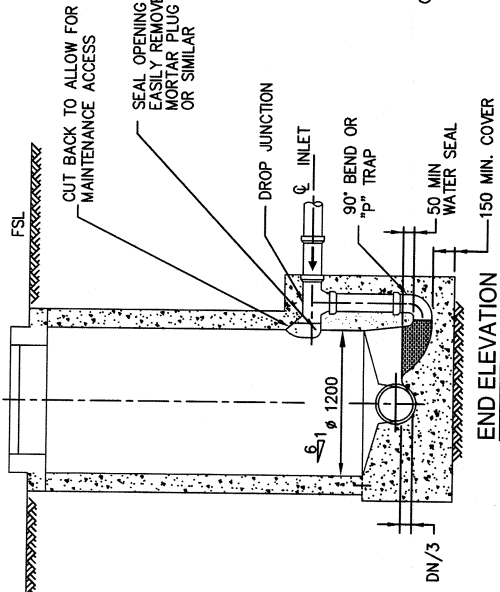


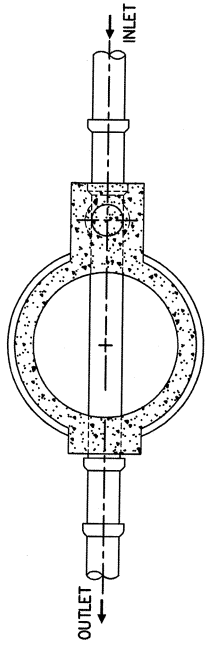
FINISHED LID LEVEL TO BE 75mm ABOVE FINISHED GROUND SURFACE LEVEL



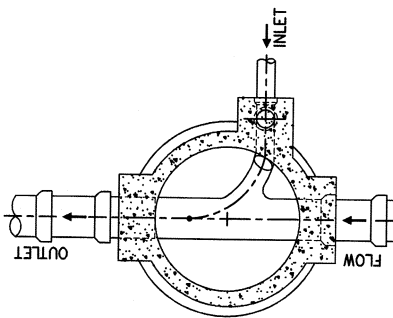
ELEVATION



END ELEVATION



PLAN



PLAN

NOTES:

1. WRITTEN APPROVAL FROM COUNCIL IS REQUIRED FOR WATER SEALS.
2. ALL DIMENSIONS IN MILLIMETRES.
3. PROVIDE WATER SEALS WHERE SHOWN IN DESIGN DRAWINGS
4. FOR CHANNEL DETAILS SEE A3-04219 & A3-04220

WATER SEALED MAINTENANCE HOLE WITH MINIMUM DROP

WATER SEALED MAINTENANCE HOLE WITH EXTERNAL DROP

MRC STANDARD DRAWINGS SUPERCEDES WSAA STANDARD DRAWINGS

<p>5/3 AMEND MGR SKM. JC</p>		<p>DRAWING FILE NAME M:\EITS\Design\Projects\STD-DWGS\MACKAY WATER\WSAA MRC\SEW CODE\A3-4243C</p>		<p>WSAA NO. SEW-1410</p>		<p>COMMERCIAL SERVICES</p>		<p>Mackay REGIONAL COUNCIL</p>	
C	MAY08	MODIFIED TO MRC STD	SLR	<p>EXECUTIVE MANAGER MACKAY WATER SERVICES RFEQ 7506</p>		<p>STANDARD DRAWING WATER SEAL ARRANGEMENTS MAINTENANCE HOLE SYSTEM</p>		<p>DRAWING No. A3-04243</p>	
B	NOV07	1. NOTE ADDED	NR	<p>DATE OF LAST EDIT February 10, 2009</p>		<p>DATE 27/5/09</p>		<p>AMEND. D</p>	
A	OCT07	TFER TO MRC TBLOCK	SLR	<p>LEVEL DATUM A.H.D.</p>		<p>JASON DEWITT</p>		<p>SHEET 1 OF 1</p>	
0		WSAA ORIG		<p>JOB No</p>		<p>WATER SERVICES ASSOCIATION of Australia</p>			
NO.	DATE	DESCRIPTION	APPVD.	MERIDIAN	MGA-55				