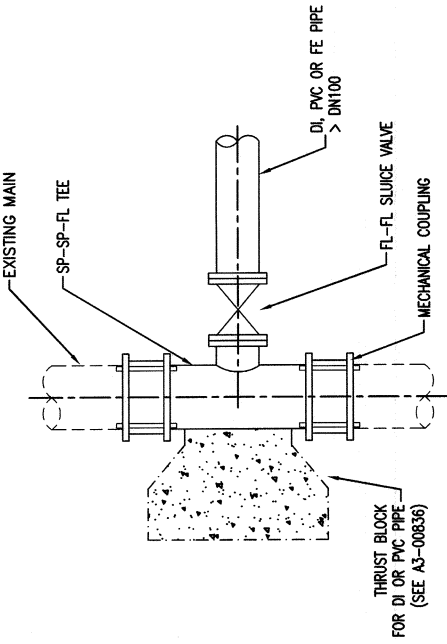
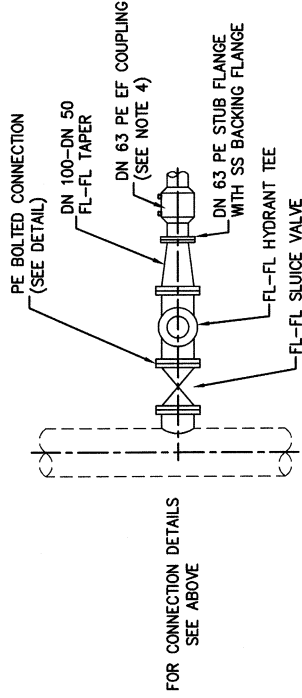


UNDER PRESSURE CONNECTION METHOD
(USING SS FULL WRAP FLANGED OFFTAKE)



CUT-IN CONNECTION METHOD
(USING MECHANICAL COUPLINGS)

CONNECTION METHODS FOR OFFTAKE \geq DN 100 DI, PVC AND PE PIPE



WHERE VALVE & HYDRANT REQUIRED

CONNECTION METHOD FOR DN 63 PE PIPE

NOTES:

1. ALL DIMENSIONS IN MILLIMETRES.
2. SS OFF-TAKE CLAMP TO BE GRADE 316 SS AND OF FULL WRAP CONFIGURATION.
3. ALL BITUMEN COATED PIPE & FITTINGS DICI. TO BE SLEEVED OR RE-SLEEVED WITH POLYETHYLENE SLEEVING OR PETROLATUM TAPE SYSTEM.
4. PE ELECTROFUSION (EF) FITTINGS TO BE CLASS PN 16.
5. BACKING FLANGES FOR PE STUB FLANGES TO BE MANUFACTURED FROM 316 SS. BOLTS, NUTS & WASHERS TO BE SS GRADE 316.
6. USE GASKETS IN ACCORDANCE WITH WSA 109 FOR ALL FLANGED CONNECTIONS.
7. DO NOT USE UNDER PRESSURE CONNECTIONS ON GRP PIPE WITHOUT MACKAY WATER & WASTE APPROVAL

MRC STANDARD DRAWINGS SUPERCEDES WSAA STANDARD DRAWINGS

Mackay REGIONAL COUNCIL		DRAWING No. A3-04271	
STANDARD DRAWING TYPICAL MAINS CONNECTION CONNECTION TO EXISTING MAINS		AMEND. C	
COMMERCIAL SERVICES		EXECUTIVE MANAGER MACKAY WATER & WASTE RFRQ 7506	
JASON DEWITT 		DATE 27 MAY09	
WSAA NO. WAT-1105			
DRAWING FILE NAME <small>M:\Engineering Services\Technical Services\Design\Projects\Standard drawings\Mackay Water\WSAA MRC\WAT CODE\A3-04271B</small>		SURVEY N/A	
JC		SURVEY FILE No N/A	
DATE 0		LEVEL DATUM A.H.D.	
DESCRIPTION APPVD.		MERIDIAN MGA-55	
NO. DATE		JOB No	