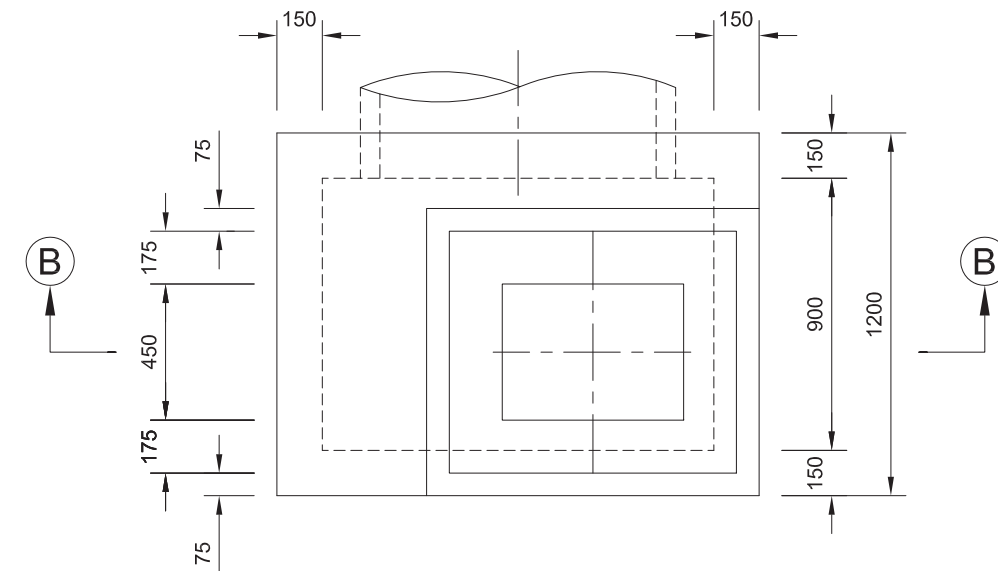
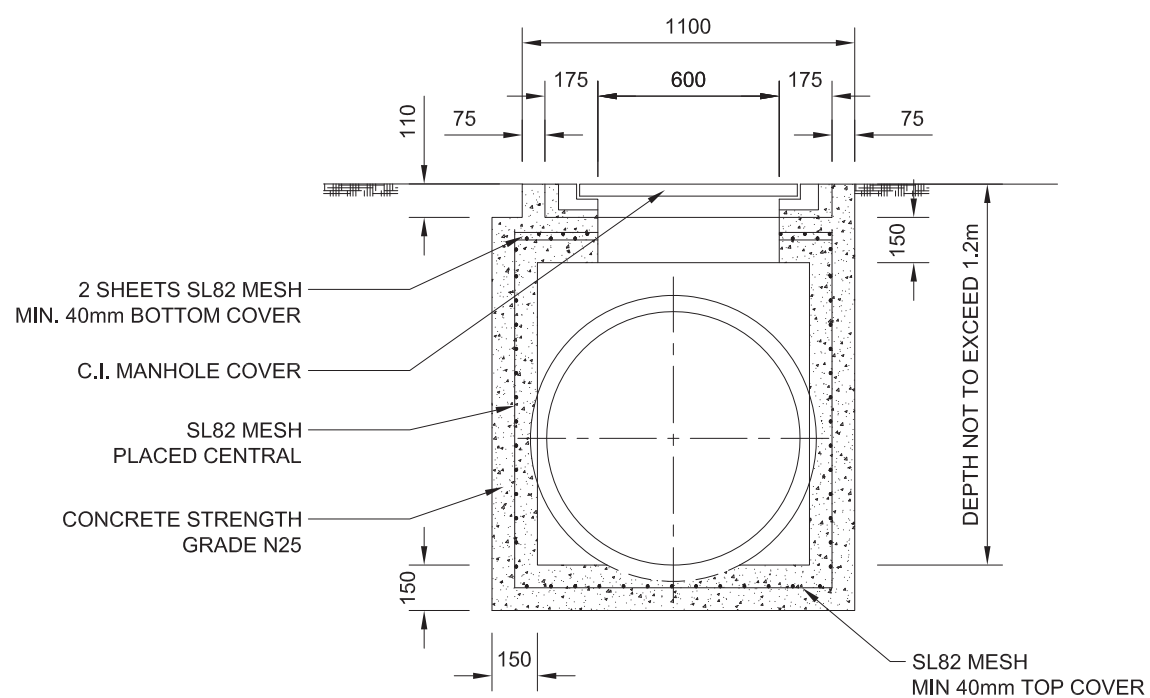


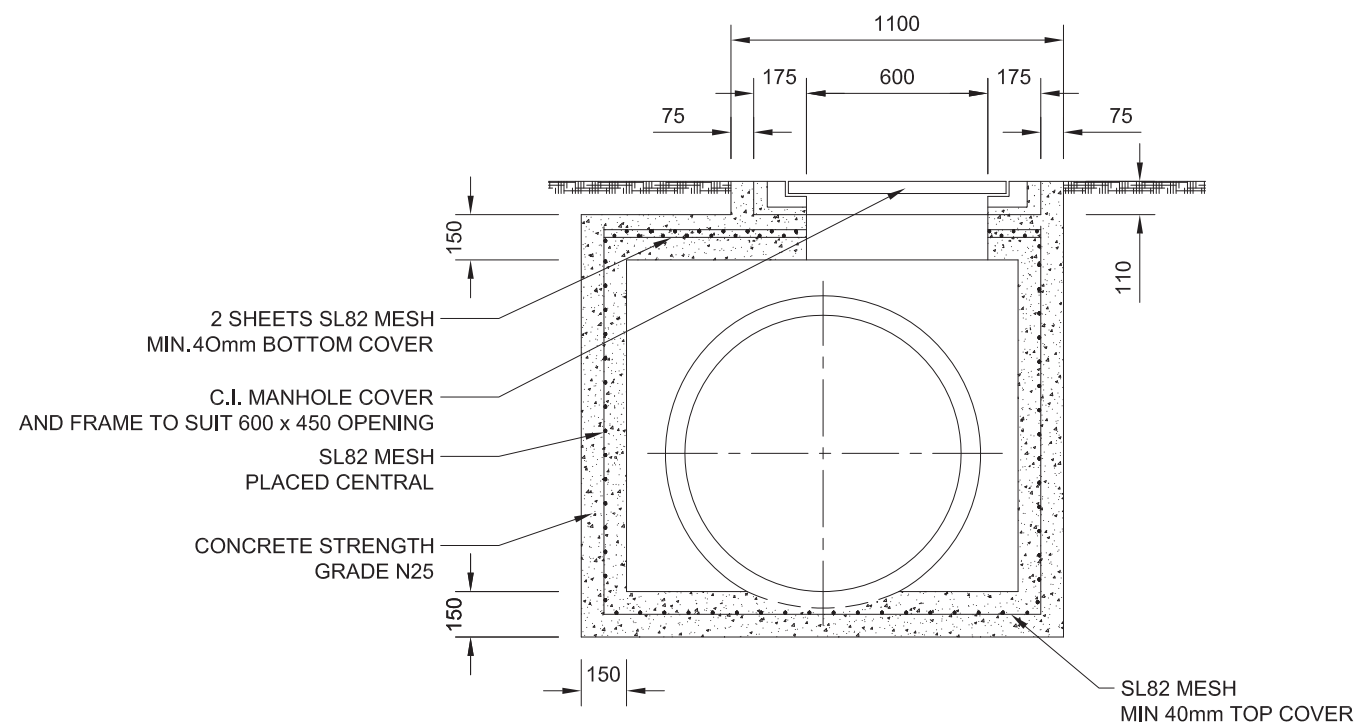
STANDARD MANHOLE FOR PIPES  $\leq 900\text{Ø}$   
AND DEPTHS  $\leq 1.2\text{m}$   
PLAN



STANDARD MANHOLE FOR PIPES  $> 900\text{Ø}$   
AND DEPTHS  $> 1.2\text{m}$   
PLAN




STANDARD MANHOLE FOR PIPES  $\leq 900\text{Ø}$   
AND DEPTHS  $\leq 1.2\text{m}$   
SECTION A - A



STANDARD MANHOLE FOR PIPES  $> 900\text{Ø}$   
AND DEPTHS  $> 1.2\text{m}$   
SECTION B - B

INTERNAL DIMENSION VARIES TO SUIT  
PIPE SIZE (300mm INCREMENTS)

			SURVEY	DRAWN	SIGNED	DATE	DIRECTOR ENGINEERING AND COMMERCIAL INFRASTRUCTURE
C	03.18	MINOR MODIFICATIONS	-	-	-	-	
B	07.07.17	REVISED FORMAT & TITLEBLOCK	SURVEY FILE No	DESIGNED	SIGNED	DATE	
A	-	ORIGINAL ISSUE	-	CHECKED	SIGNED	DATE	
	DATE	DESCRIPTION	APPVD	-	-	01.01.1998	
AMENDMENTS AND REVISIONS			MERIDIAN	MANAGER TECHNICAL SERVICES			ORIGINAL SIGNED BY J.MARTIN JASON DEVITT
\STANDARD DRAWINGS\STORMWATER\A3-00866			-	Graeme Hawes	18/9/18	DATE	23.02.1997
			-	G. HAWES	RPEQ 5693	DATE	

STANDARD  
STORMWATER  
RECTANGULAR MANHOLES

SHEET 1 OF 1	
WORKS JOB No. -	
DRAWING No.	AMEND.
A3-00866	C