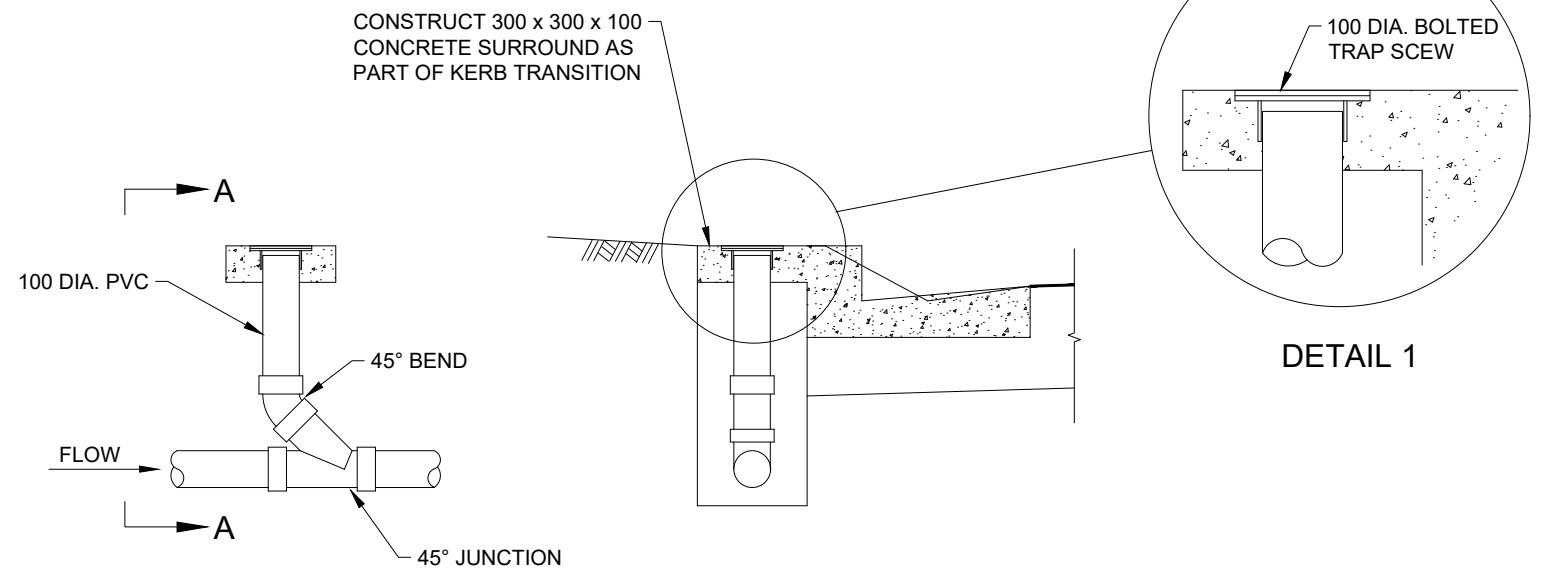


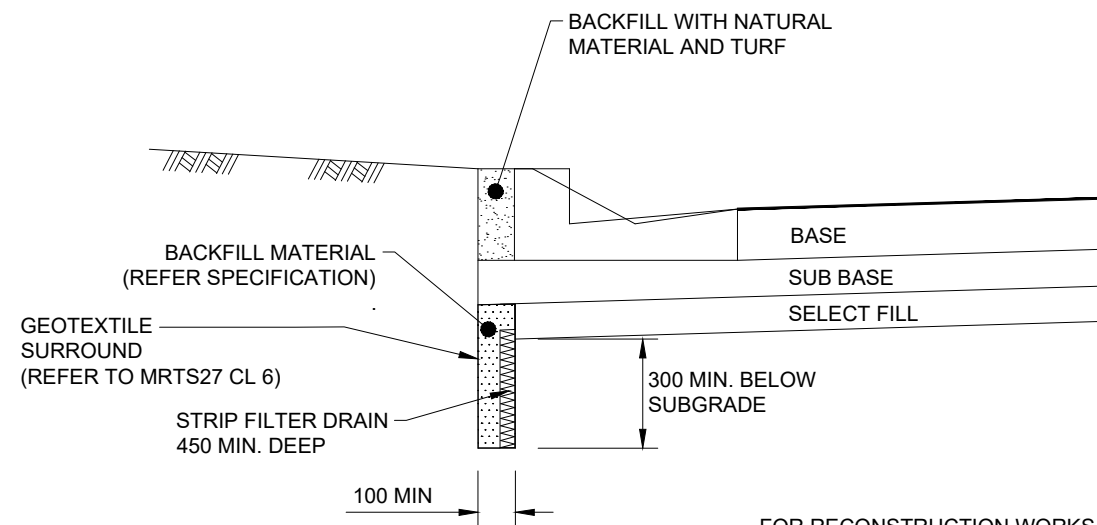
SUBSOIL DRAIN TYPE C



ELEVATION

SECTION

SUBSOIL DRAIN CLEANOUT



SUBSOIL DRAIN TYPE D

FOR RECONSTRUCTION WORKS WHERE KERB & CHANNEL IS TO REMAIN, STRIP FILTER DRAIN TO BE INSTALLED AT LIP LINE.


SPECIFICATION FOR BACKFILL MATERIAL

AS SIEVE SIZE	PERCENT (BY MASS) PASSING SIEVE
9.5 mm	100
4.75 mm	90 - 100
1.18 mm	45 - 80
300 µm	10 - 30
150 µm	0 - 10
75 µm	0 - 1

NOTES:

- CLEANOUTS ARE TO BE LOCATED OPPOSITE LOT BOUNDARIES.
- CLEANOUTS TO BE LOCATED AT HEADS OF ALL SUBSOIL DRAINS.
- SUBSOIL FLUSH POINTS ARE TO BE CONSTRUCTED AS PART OF THE KERB TRANSITION WHEN LOCATED AT STORMWATER PITS.
- MAXIMUM SPACINGS BETWEEN CLEANOUTS OR CLEANOUT AND GULLY PIT TO BE 60m.
- CLEANOUT DETAIL FOR SUBSOIL DRAIN TYPE D : REPLACE 45° BEND AND 45° JUNCTION WITH APPROVED CONNECTORS.
- MINIMUM GRADE ON SUBSOIL DRAIN 1 IN 200.
- OVERLAPPING OF GEOFABRIC TO COMPLY WITH MRTS27 CL 9.

D	27/03/2024	GEOTEXTILE SURROUND DRAWN TO TYPE C AND D	D.I	SURVEY	DRAWN	SIGNED	DATE	DIRECTOR ENGINEERING AND COMMERCIAL INFRASTRUCTURE
C	28/02/22	GEOTECTILE SURROUND ADDED TO TYPE D		SURVEY FILE No	DESIGNED	SIGNED	DATE	
B	30/1/15	REVISED FORMAT AND TITLEBLOCK	G.H.	LEVEL DATUM	CHECKED	SIGNED	DATE	ORIGINAL SIGNED BY JOHN MARTIN
A	27/06/07	AMMENDED STRIP FILTER TYPE D	G.H.				01/01/98	JASON DEVITT
AMENDMENTS AND REVISIONS			APPVD	MANAGER TECHNICAL SERVICES	G. HAWES			DATE
STANDARD DRAWINGS/A3-00867				MERIDIAN	G. HAWES		19/8/2024	DATE
					G. HAWES		RPEQ 5693	DATE


  
 DIRECTOR ENGINEERING AND COMMERCIAL INFRASTRUCTURE

**STANDARD**  
**SUB-SOIL DRAIN**

SHEET 1 OF 1	
WORKS JOB No.	
DRAWING No.	AMEND.
A3-00867	D