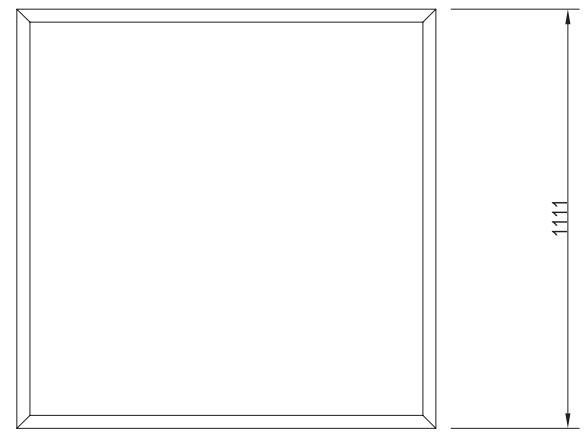
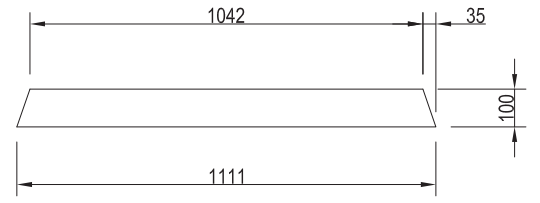


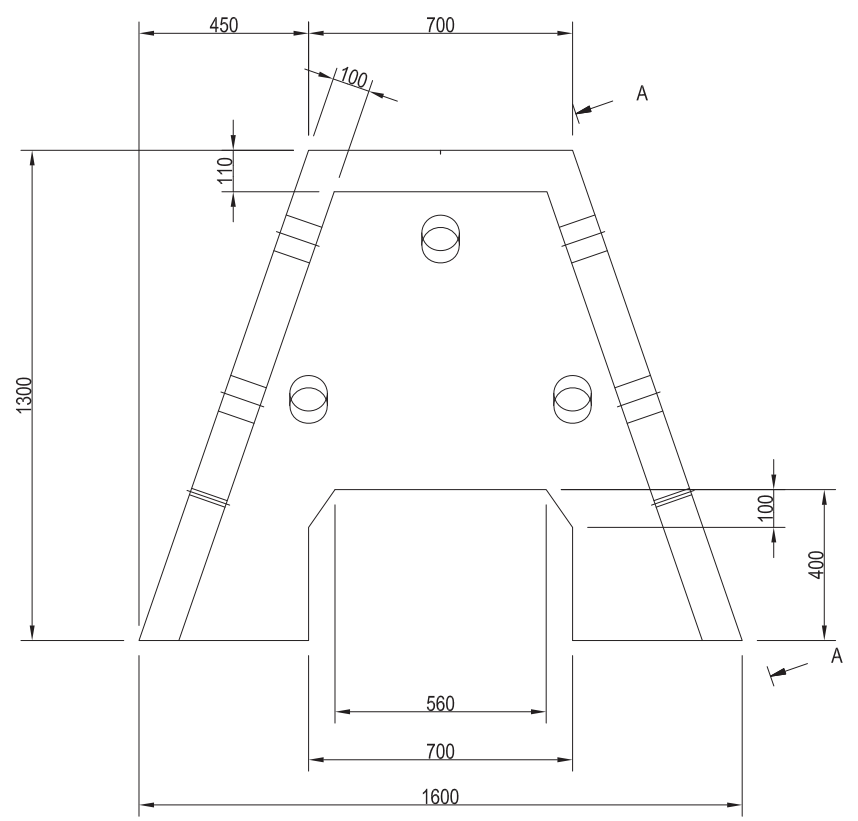
PLAN
SCALE: 1:20



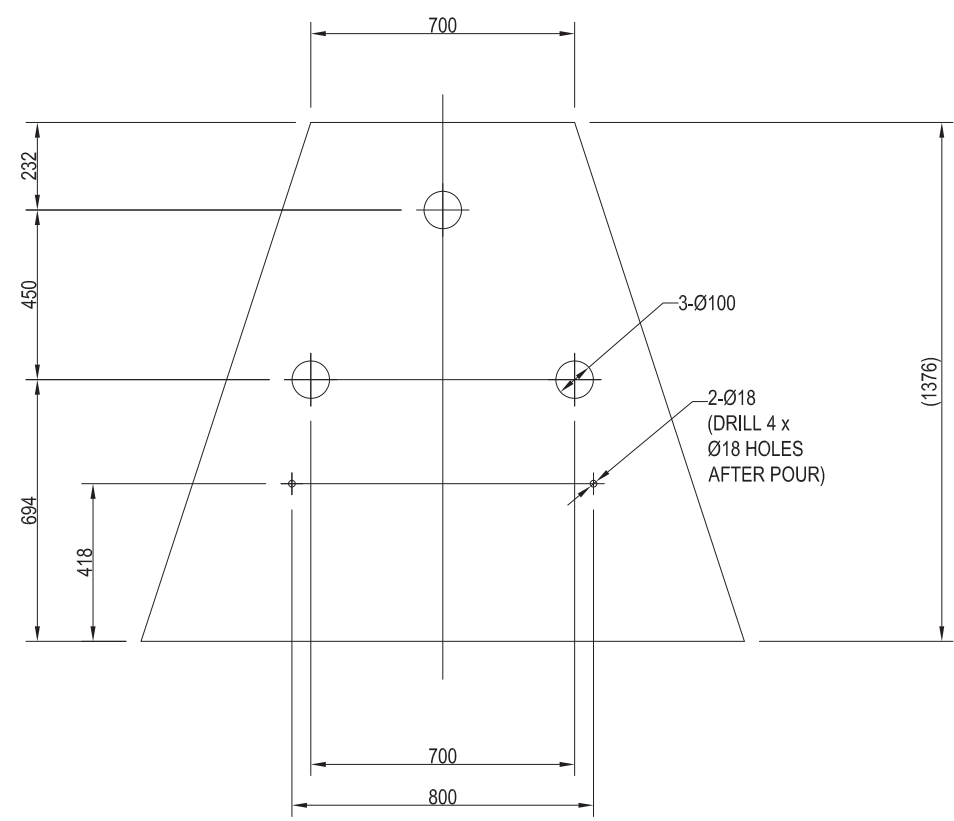
PLAN
SCALE: 1:20



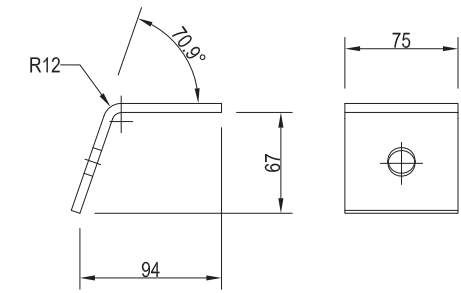
ITEM 4.1.2
CONCRETE SHELF
QTY: 1
SCALE: 1:20



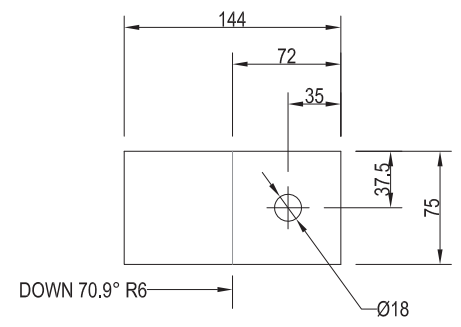
ITEM 4.1.1
CONCRETE OUTER
QTY: 1
SCALE: 1:20



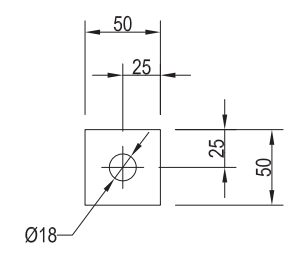
SECTION A
SCALE: 1:20



ITEM 4.1.3
SDSS2507 6 PL (PRESSED)
QTY: 4
SCALE: 1:5



ITEM 4.1.3 FLAT PATTERN
SDSS2507 6 PL (PRESSED)
SCALE: 1:5



ITEM 4.1.4
SDSS2507 6 PL WASHER
QTY: 4
SCALE: 1:5

I:\FileStore\K\Technical Services\Design\Projects\Facilities\Pioneer Rd\Estuary Fish Habitat Improvement\Plans\A3-09754.dwg

NO.	DATE	DESCRIPTION	APPVD
A	09.2020	ORIGINAL ISSUE	
AMENDMENTS AND REVISIONS			

SURVEYED BY	DRAWN	SIGNED	DATE
SURVEY FILE No	DESIGNED	SIGNED	DATE
LEVEL DATUM A.H.D.	CHECKED	SIGNED	DATE
HOR. DATUM / DATE MGA 94/2020	MANAGER / CO-ORDINATOR Timothy Sunner <small>Digitally signed by Timothy Sunner Date: 2020.11.09 14:20:47 +1000'</small>		DATE
	TIMOTHY SUNNER		DATE

ASSET OWNER	DATE
Jason Cocker <small>Digitally signed by Jason Cocker Date: 2020.11.19 13:44:19 +10'00'</small>	DATE
CERTIFIED NOT AN ENGINEER CERTIFIED DESIGN	DATE



**PYRAMID REEF ASSEMBLY
CONCRETE DETAILS**

SHEET 1 OF 1	
WORKS JOB No.	STANDARD
DRAWING No.	AMEND.
A3-09754	A